

## Safety spiral cables

### Item description/product images



### Description

#### Material:

Spiral cable PUR.  
Eye copper or stainless steel.  
Key ring steel or stainless steel.

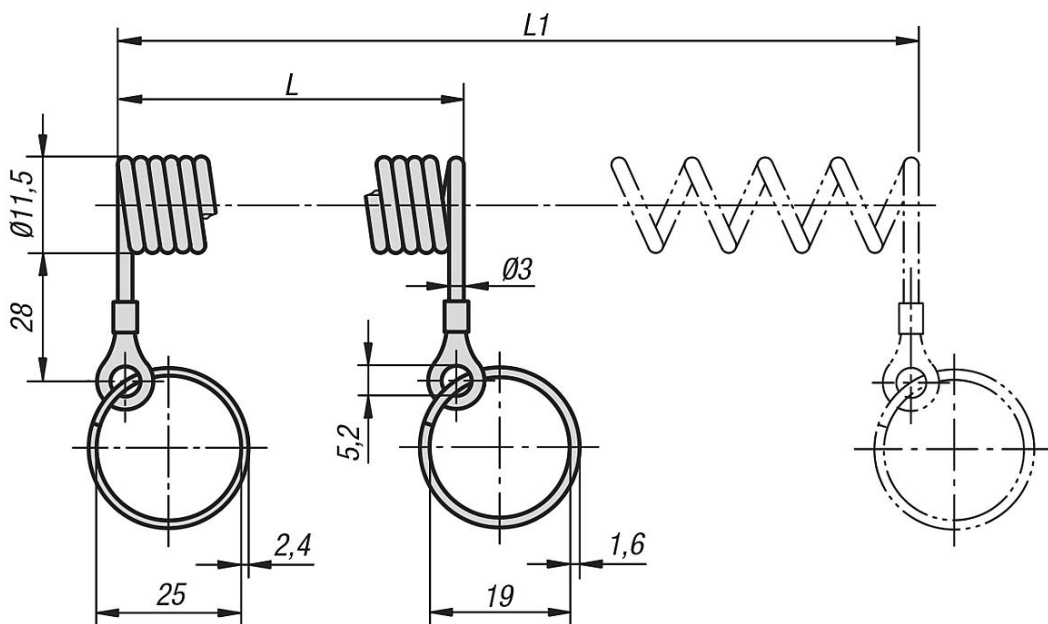
#### Version:

Spiral cable black.  
Eye, zinc-plated copper or bright stainless steel.  
Key ring, chromed steel or bright stainless steel.

#### Note:

Elastic spiral cable to secure equipment parts. Very good reset force, robust and wear-resistant.

### Drawings



### Overview of items

#### Safety spiral cable

Order No.	Key Rings	L	L1
K0367.10100	steel	100	500
K0367.10200	steel	200	1000
K0367.20100	stainless steel A2	100	500
K0367.20200	stainless steel A2	200	1000

