

Pull handles

Item description/product images



Description

Material:

Fibreglass reinforced thermoplastic.
Tapped bush brass.

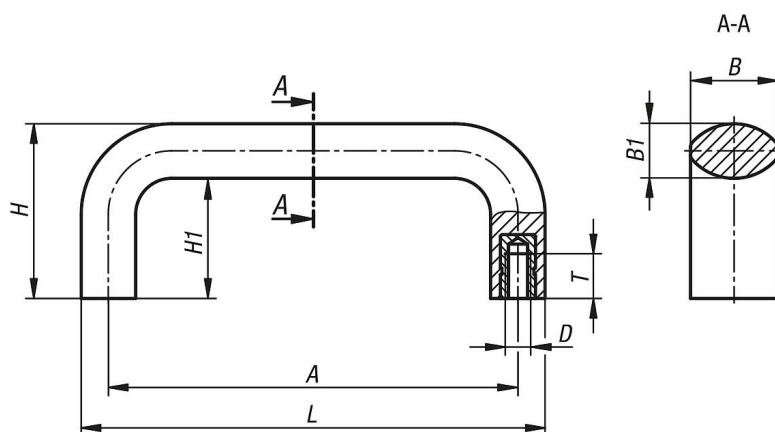
Version:

Black.

Assembly:

From the rear.

Drawings



Overview of items

Order No.	A	B	B1	D	H	H1	L	T	Load capacity N
K1087.08605	86	20	12,5	M5	40	28	98,5	8	1000
K1087.08606	86	20	12,5	M6	40	28	98,5	8	1000
K1087.09405	94	20	12,5	M5	40	28	106,5	8	1000
K1087.09406	94	20	12,5	M6	40	28	106,5	8	1000
K1087.11705	117	25	16	M5	50	34	134	8	1000
K1087.11706	117	25	16	M6	50	34	134	8	1000
K1087.11708	117	25	16	M8	50	34	134	13	1000
K1087.12005	120	25	16	M5	50	34	134	15	1000
K1087.12006	120	25	16	M6	50	34	134	8	1000
K1087.12008	120	25	16	M8	50	34	134	13	1000
K1087.13205	132	25	16	M5	50	34	148	15	1000
K1087.13206	132	25	16	M6	50	34	148	8	1000
K1087.13208	132	25	16	M8	50	34	148	13	1000
K1087.15006	149,5	29	18	M6	58	40	168	16	1000
K1087.15008	149,5	29	18	M8	58	40	168	13	1000
K1087.15010	149,5	29	18	M10	58	40	168	13	1000
K1087.17908	179	29	18	M8	58	40	197	13	1000
K1087.17910	179	29	18	M10	58	40	197	13	1000

