

Triangular grips

Item description/product images



Description

Material:

Fibreglass reinforced thermoplastic.

Tapped bush brass.

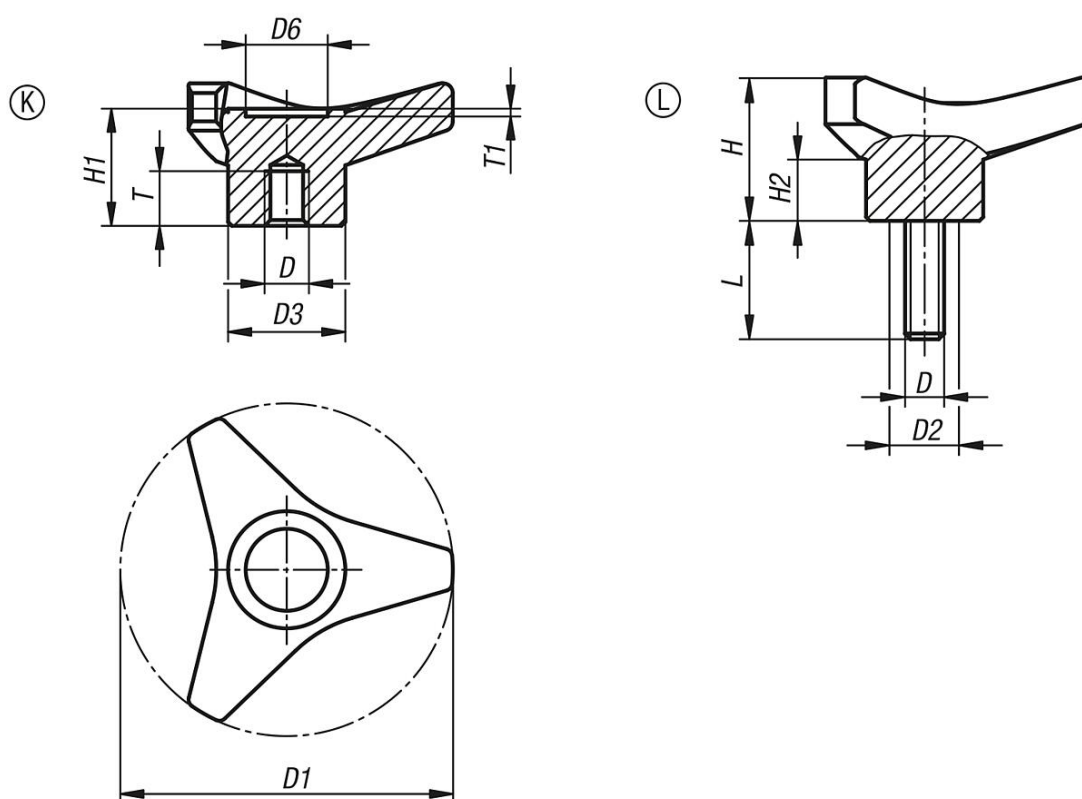
Screw steel.

Version:

Grip, black.

Screw electro zinc-plated.

Drawings



Overview of items

Triangular grips with internal thread

Order No.	Form	D	D1	D2	D3	D6	H	H1	H2	T	T1	L
K1083.24506	K	M6	45	-	16	11	21	18	10	9	1	-
K1083.26508	K	M8	65	-	22	15,5	28	23,5	11,5	11	1,5	-
K1083.26510	K	M10	65	-	22	15,5	28	23,5	11,5	11	1,5	-
K1083.28510	K	M10	85	-	30	21	37	30,5	16	14	2	-
K1083.28512	K	M12	85	-	30	21	37	30,5	16	19	2	-
K1083.210512	K	M12	105	-	35	25	46	37,5	19	17	2	-
K1083.210514	K	M14	105	-	35	25	46	37,5	19	19	2	-
K1083.48508X	L	M8	85	18	30	21	37	30,5	16	-	2	20/30
K1083.48510X	L	M10	85	18	30	21	37	30,5	16	-	2	20/30
K1083.48512X	L	M12	85	18	30	21	37	30,5	16	-	2	20/40
K1083.410512X	L	M12	105	20	35	25	46	37,5	19	-	2	30/50

