

Rest pads adjustable with locknut

Item description/product images



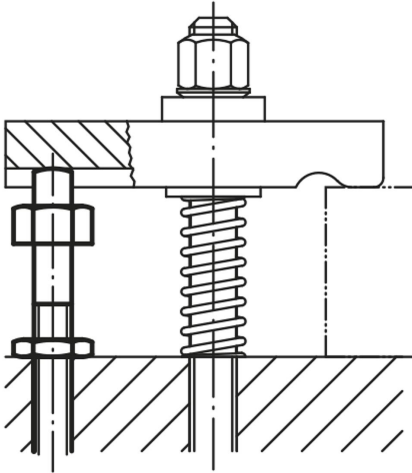
Description

Material:

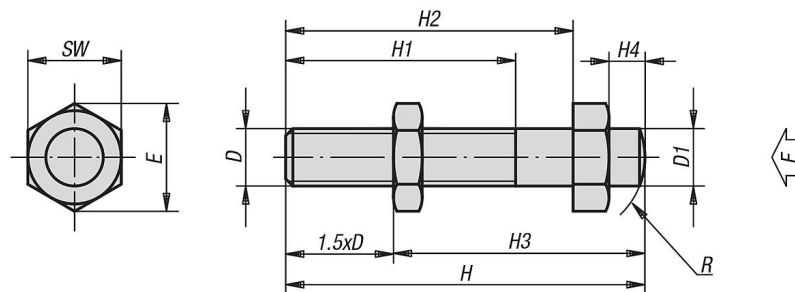
Carbon steel 1.1181.

Version:

Surface hardened, black oxidised.



Drawings



Overview of items

Rest pads adjustable with locknut

Order No.	D	D1	H	H1	H2	H3 min.	H3 max.	H4	E	SW	R	F ca.N
K0306.05	M5	5	50	32	40	20,5	42,5	5	11,5	10	7	1000
K0306.06	M6	6	50	32	40	21	41	5	11,5	10	8	1430
K0306.08	M8	8	50	32	40	22	38	5	15	13	11	2620
K0306.10	M10	10	52	32	40	25	37	5	19,6	17	14	4180
K0306.101	M10	10	70	32	56	42	55	6	19,6	17	14	4180
K0306.12	M12	12	70	40	56	36	52	6	21,9	19	16	6100
K0306.121	M12	12	95	50	80	51	77	6	21,9	19	16	6100
K0306.14	M14	14	100	63	80	44	79	8	25,4	22	20	8320
K0306.16	M16	16	100	63	80	45	76	8	27,7	24	25	11520
K0306.161	M16	16	120	63	100	65	96	8	27,7	24	25	11520
K0306.20	M20	20	110	70	88	50	90	10	34,6	30	28	18000

