

Self-aligning pads swivel angle 12°

Item description/product images



Description

Material:

Body carbon steel.

Ball, ball-bearing steel 1.3505.

Version:

Body tempered.

Ball hardened (50 - 55 HRC).

Note:

Self-aligning pads serve as stops, supports and thrust pads in fixture construction. They can also be installed in existing clamping devices, e.g. arness clamps.

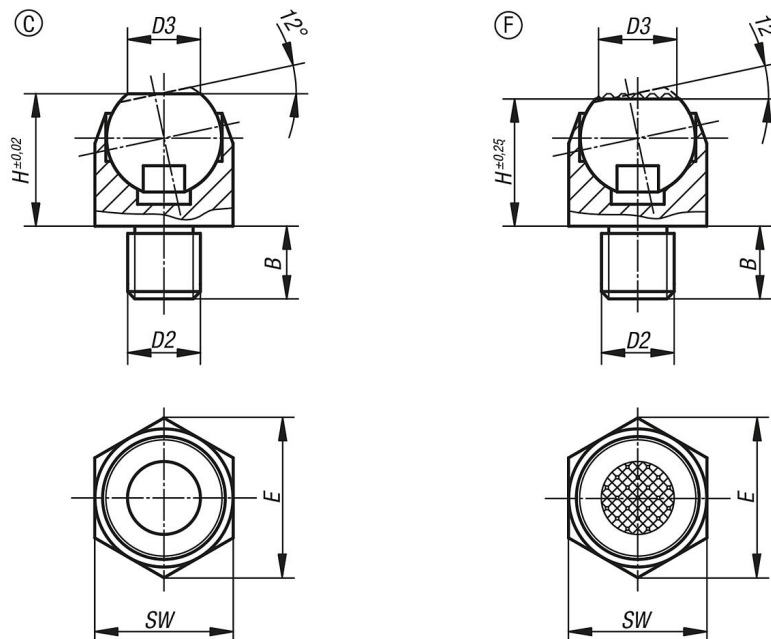
Ball is secured against rotation.

Drawing reference:

Form C: external thread, smooth flattened ball

Form F: external thread, serrated flattened ball

Drawings



Overview of items

Self-aligning pads swivel angle 12°

Order No. Form C	Order No. Form F	B	D2	D3	H	E	SW	Ball-Ø	Load rating max. kN (static load only)
K0302.106	K0302.306	7	M6	6,7	13	14,5	13	10	10
K0302.108	K0302.308	8	M8	6,7	13	14,5	13	10	10
K0302.110	K0302.310	10	M10	10	18	21,9	19	16	25
K0302.112	K0302.312	12	M12	10	18	21,9	19	16	25
K0302.116	K0302.316	16	M16	20	27	33	30	24	90

Self-aligning pads swivel angle 12°**Overview of items**

Order No. Form C	Order No. Form F	B	D2	D3	H	E	SW	Ball-Ø	Load rating max. kN (static load only)
K0302.120	K0302.320	20	M20	20	27	33	30	24	90