

Positioning feet

Item description/product images



Description

Material:

Body high carbon steel.

Version:

Body tempered and black oxidised.

Contact faces case-hardened.

Note:

These positioning feet are used as supports for rough and machined parts. They can also be used as stops and thrust pads in fixtures and toolmaking.

Drawing reference:

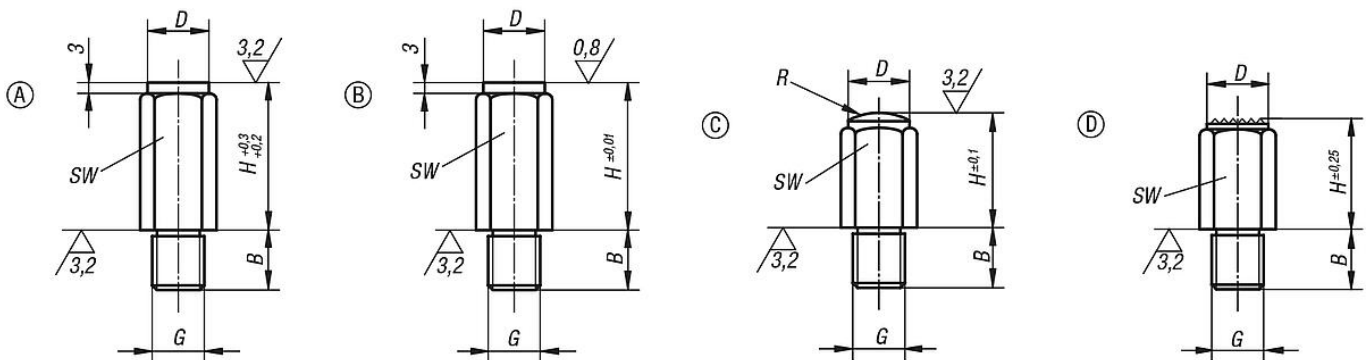
Form A: Flat face hardened

Form B: Flat face hardened and ground

Form C: Spherical face hardened

Form D: Serrated face tempered

Drawings



Overview of items

Positioning feet

Order No.	Form	B	D	G	H	R	SW
K0299.106010	A	11	10	M6	10	-	10
K0299.106020	A	11	10	M6	20	-	10
K0299.108010	A	13	13	M8	10	-	13
K0299.108015	A	13	13	M8	15	-	13
K0299.108030	A	13	13	M8	30	-	13
K0299.110010	A	16	17	M10	10	-	17
K0299.110020	A	16	17	M10	20	-	17
K0299.110040	A	16	17	M10	40	-	17
K0299.112010	A	20	19	M12	10	-	19
K0299.112025	A	20	19	M12	25	-	19
K0299.112050	A	20	19	M12	50	-	19
K0299.116015	A	24	27	M16	15	-	27
K0299.116030	A	24	27	M16	30	-	27
K0299.116060	A	24	27	M16	60	-	27
K0299.120040	A	29	32	M20	40	-	32
K0299.120080	A	29	32	M20	80	-	32
K0299.206010	B	11	10	M6	10	-	10
K0299.206020	B	11	10	M6	20	-	10

Positioning feet

Overview of items

Order No.	Form	B	D	G	H	R	SW
K0299.208010	B	13	13	M8	10	-	13
K0299.208015	B	13	13	M8	15	-	13
K0299.208030	B	13	13	M8	30	-	13
K0299.210010	B	16	17	M10	10	-	17
K0299.210020	B	16	17	M10	20	-	17
K0299.210040	B	16	17	M10	40	-	17
K0299.212010	B	20	19	M12	10	-	19
K0299.212025	B	20	19	M12	25	-	19
K0299.212050	B	20	19	M12	50	-	19
K0299.216015	B	24	27	M16	15	-	27
K0299.216030	B	24	27	M16	30	-	27
K0299.216060	B	24	27	M16	60	-	27
K0299.220040	B	29	32	M20	40	-	32
K0299.220080	B	29	32	M20	80	-	32
K0299.306010	C	11	10	M6	10	15	10
K0299.306020	C	11	10	M6	20	15	10
K0299.308010	C	13	13	M8	10	20	13
K0299.308015	C	13	13	M8	15	20	13
K0299.308030	C	13	13	M8	30	20	13
K0299.310010	C	16	17	M10	10	30	17
K0299.310020	C	16	17	M10	20	30	17
K0299.310040	C	16	17	M10	40	30	17
K0299.312010	C	20	19	M12	10	40	19
K0299.312025	C	20	19	M12	25	35	19
K0299.312050	C	20	19	M12	50	35	19
K0299.316015	C	24	27	M16	15	50	27
K0299.316030	C	24	27	M16	30	50	27
K0299.316060	C	24	27	M16	60	50	27
K0299.320040	C	29	32	M20	40	60	32
K0299.320080	C	29	32	M20	80	60	32
K0299.406010	D	11	10	M6	10	-	10
K0299.406020	D	11	10	M6	20	-	10
K0299.408015	D	13	13	M8	15	-	13
K0299.408030	D	13	13	M8	30	-	13
K0299.410020	D	16	17	M10	20	-	17
K0299.410040	D	16	17	M10	40	-	17
K0299.412025	D	20	19	M12	25	-	19
K0299.412050	D	20	19	M12	50	-	19
K0299.416030	D	24	27	M16	30	-	27
K0299.416060	D	24	27	M16	60	-	27
K0299.420040	D	29	32	M20	40	-	32
K0299.420080	D	29	32	M20	80	-	32