

## High clamping grips with internal thread

### Item description/product images



### Description

#### Material, version:

Base body in black hard thermoplastic,  
coating in black soft thermoplastic,  
internal thread in brass.

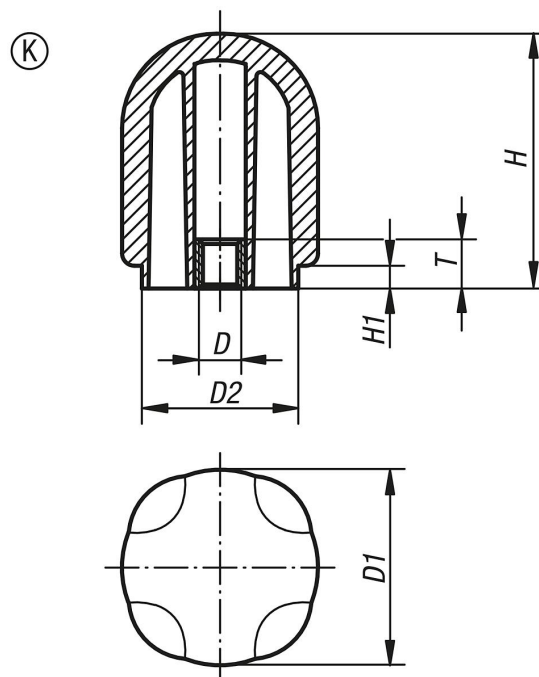
#### Note:

SYMPA TOUCH high form clamping grips are available in 2 grip sizes with internal and external threads.

#### On request:

Other screw sizes, screw lengths, versions and colours.

### Drawings



### Overview of items

#### Clamping grips high form with internal thread

Order No.	Form	D	D1	D2	H	H1	T
K0280.4206	K	M6	42,7	34	55,6	4,8	12,5
K0280.4208	K	M8	42,7	34	55,6	4,8	12,5
K0280.4210	K	M10	42,7	34	55,6	4,8	12,5
K0280.4212	K	M12	42,7	34	55,6	4,8	12,5

## High clamping grips with internal thread

### Overview of items

Order No.	Form	D	D1	D2	H	H1	T
K0280.4706	K	M6	47,8	38,1	62,2	5,6	12,5
K0280.4708	K	M8	47,8	38,1	62,2	5,6	12,5
K0280.4710	K	M10	47,8	38,1	62,2	5,6	12,5
K0280.4712	K	M12	47,8	38,1	62,2	5,6	12,5