

Recessed handles, stainless steel, fold-down, round

Item description/product images



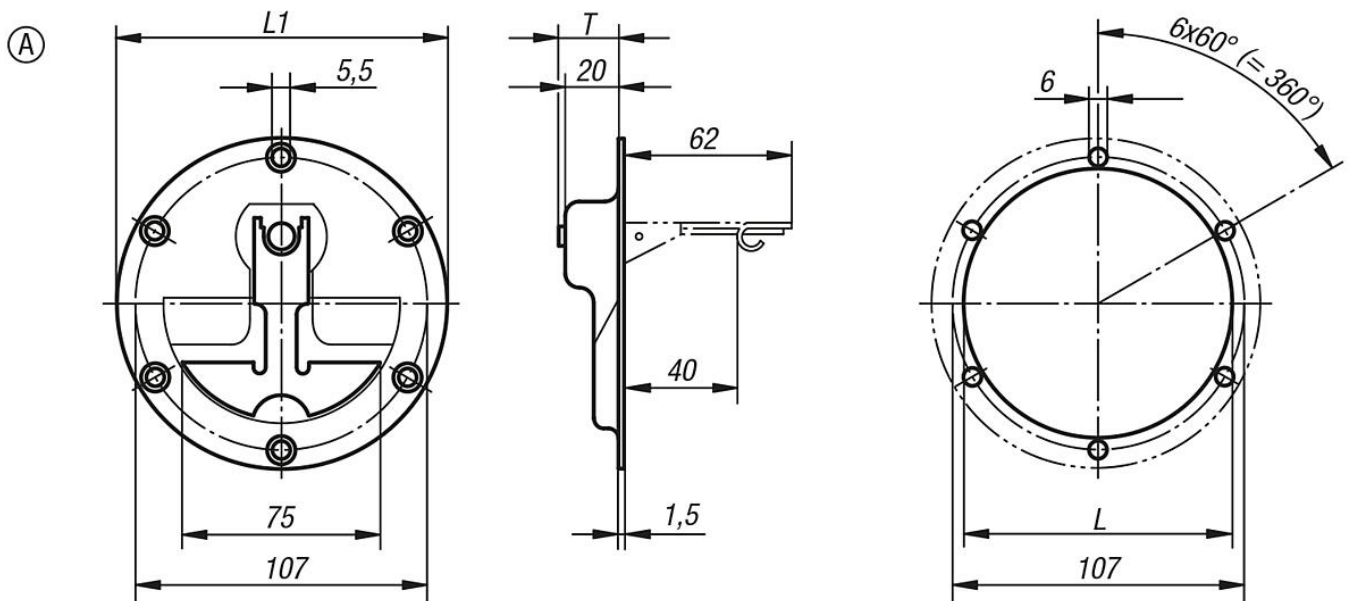
Description

Material:
Stainless steel 1.4301.

Version:
High-gloss electropolished.

Note:
Stainless steel retractable grips with marginal installation depth. For base and mounting plates or drawers. With return spring. The grip automatically swivels back into its resting position after use.

Drawings



Overview of items

Fitting grip in stainless steel

Order No.	Form	Version 2	H	L	L1	T	Load capacity N
K0243.1120000	A	screw on	120	98	120	22	200

