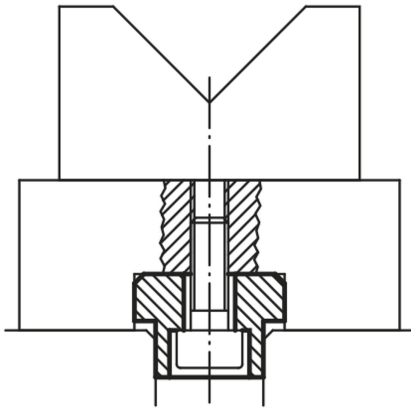
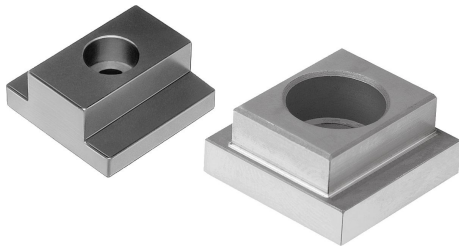


## T-slot keys

### Item description/product images



### Description

**Material:**

Carbon steel 1.1191

**Version:**

Form A black oxidised.

Form B hardened and bright.

**Note:**

T-slot keys are used for positioning fixture components quickly and exactly.

The time-consuming work to align components is no longer required.

Version B can be mounted at 90° for a wider mark-out dimension. The T-slot key can therefore be used for two different slot widths.



## T-slot keys

## Overview of items

Order No.	Form	Form definition	BN=Slot width	B	H	H1	L	L1
K0954.08X8	A	single	8	8	8	-	20	-
K0954.12X20	A	single	20	12	14	6	30	-
K0954.12X22	A	single	22	12	14	6	30	-
K0954.12X30	A	single	30	12	14	6	30	-
K0954.14X20	A	single	20	14	14	6	30	-
K0954.14X22	A	single	22	14	14	6	30	-
K0954.14X30	A	single	30	14	14	6	30	-
K0954.16X20	A	single	20	16	14	6	30	-
K0954.16X22	A	single	22	16	14	6	30	-
K0954.16X30	A	single	30	16	14	6	30	-
K0954.18X20	A	single	20	18	14	6	30	-
K0954.18X22	A	single	22	18	14	6	30	-
K0954.18X30	A	single	30	18	14	6	30	-
K0954.22X20	A	single	20	22	14	6	30	-
K0954.22X22	A	single	22	22	14	6	30	-
K0954.22X30	A	single	30	22	14	6	30	-
K0954.1814X18	B	both sides	18	14	10	4,9	18	18
K0954.1814X20	B	both sides	20	14	10	4,9	20	18