

## Ledge handles, aluminium with end caps

### Item description/product images



### Description

#### Material:

Profile aluminium EN AW-6060.  
End caps black thermoplastic.

#### Version:

Matt-gloss anodised.

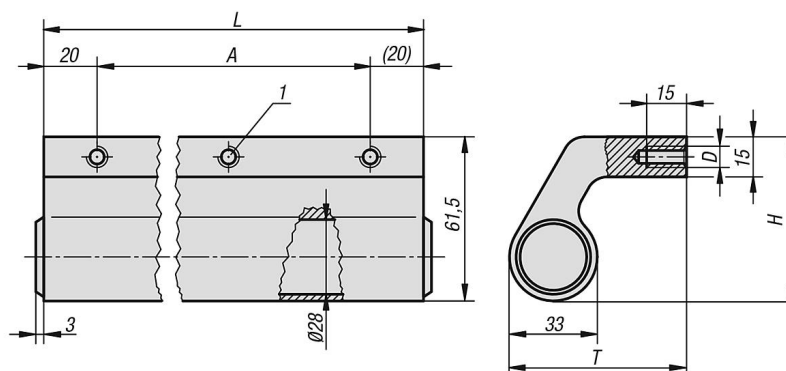
#### Note:

Ledge handles have many uses including sliding doors and technical installations. This ledge handle is also suitable as edge protection.

#### Drawing reference:

1) middle tapped hole only  $L \geq 400$  mm

### Drawings



### Overview of items

#### Ledge handles

| Order No.  | Main colour      | A   | D  | H    | L   | T    | Load capacity N |
|------------|------------------|-----|----|------|-----|------|-----------------|
| K0130.1501 | natural anodised | 110 | M8 | 61,5 | 150 | 66,5 | 1000            |
| K0130.2001 | natural anodised | 160 | M8 | 61,5 | 200 | 66,5 | 1000            |
| K0130.2501 | natural anodised | 210 | M8 | 61,5 | 250 | 66,5 | 1000            |
| K0130.3001 | natural anodised | 260 | M8 | 61,5 | 300 | 66,5 | 1000            |
| K0130.3501 | natural anodised | 310 | M8 | 61,5 | 350 | 66,5 | 1000            |
| K0130.4001 | natural anodised | 360 | M8 | 61,5 | 400 | 66,5 | 1000            |
| K0130.1502 | black anodised   | 110 | M8 | 61,5 | 150 | 66,5 | 1000            |
| K0130.2002 | black anodised   | 160 | M8 | 61,5 | 200 | 66,5 | 1000            |
| K0130.2502 | black anodised   | 210 | M8 | 61,5 | 250 | 66,5 | 1000            |
| K0130.3002 | black anodised   | 260 | M8 | 61,5 | 300 | 66,5 | 1000            |
| K0130.3502 | black anodised   | 310 | M8 | 61,5 | 350 | 66,5 | 1000            |
| K0130.4002 | black anodised   | 360 | M8 | 61,5 | 400 | 66,5 | 1000            |
| K0130.5002 | black anodised   | 460 | M8 | 61,5 | 500 | 66,5 | 1000            |
| K0130.6002 | black anodised   | 560 | M8 | 61,5 | 600 | 66,5 | 1000            |

