

# Pull handles, plastic, slanted both sides

## Item description/product images



### Description

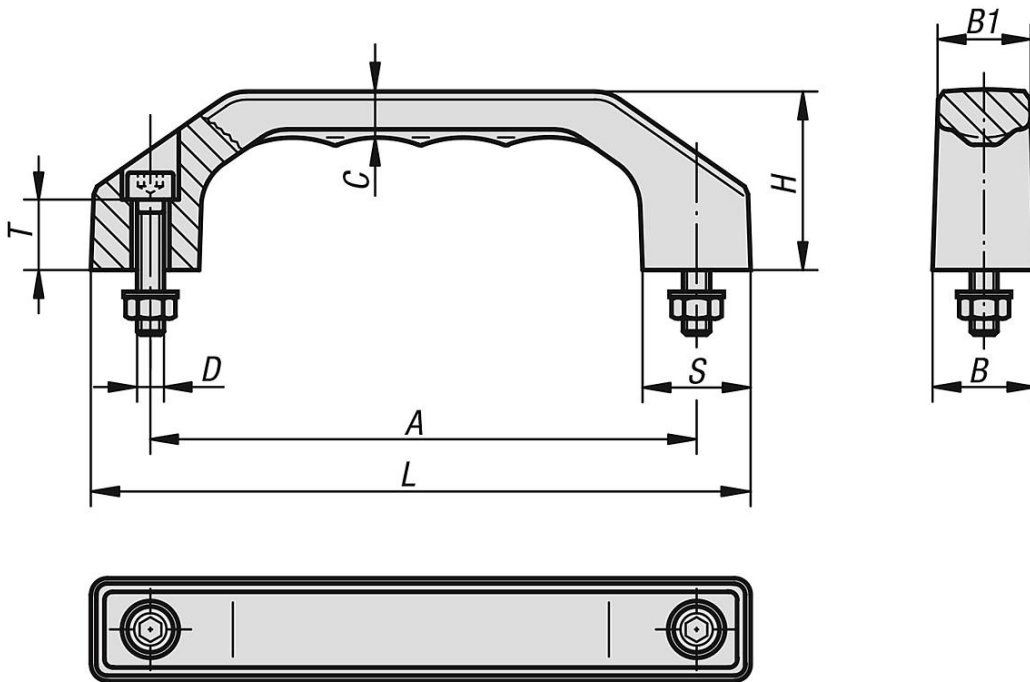
**Material:**  
Glass bead reinforced thermoplastic.

**Version:**  
Matt black with fine texture.

**Note:**  
These handles are extremely flex-resistant and very user friendly. Fastening screws, nuts and washers are supplied. Stainless steel fasteners are supplied for wet areas.

**Assembly:**  
From the front.

## Drawings



## Overview of items

### Pull handles

Order No.	Version 1	A	B	B1	C	D	H	L	S	T	Load capacity N
K0200.100051	-	100	19	17	8,5	M5X22	35	122	20	13	1000
K0200.120061	-	120	23	20,5	10,5	M6X25	39	146	24	15	1000
K0200.140081	-	140	27	24	12	M8x30	45	170	28	16	1000
K0200.160081	-	160	31	27,5	13,5	M8x35	52	194	32	20	1000
K0200.180081	-	180	35	31	15,5	M10X40	58	218	36	20	1000
K0200.100052	wet area	100	19	17	8,5	M5X22	35	122	20	13	1000
K0200.120062	wet area	120	23	20,5	10,5	M6X25	39	146	24	15	1000
K0200.140082	wet area	140	27	24	12	M8x30	45	170	28	16	1000
K0200.160082	wet area	160	31	27,5	13,5	M8x35	52	194	32	20	1000

## Pull handles, plastic, slanted both sides

### Overview of items

Order No.	Version 1	A	B	B1	C	D	H	L	S	T	Load capacity N
K0200.180082	wet area	180	35	31	15,5	M10X40	58	218	36	20	1000