

Pull handles, round cast iron

Item description/product images



Description

Material:

GJS 400

Version:

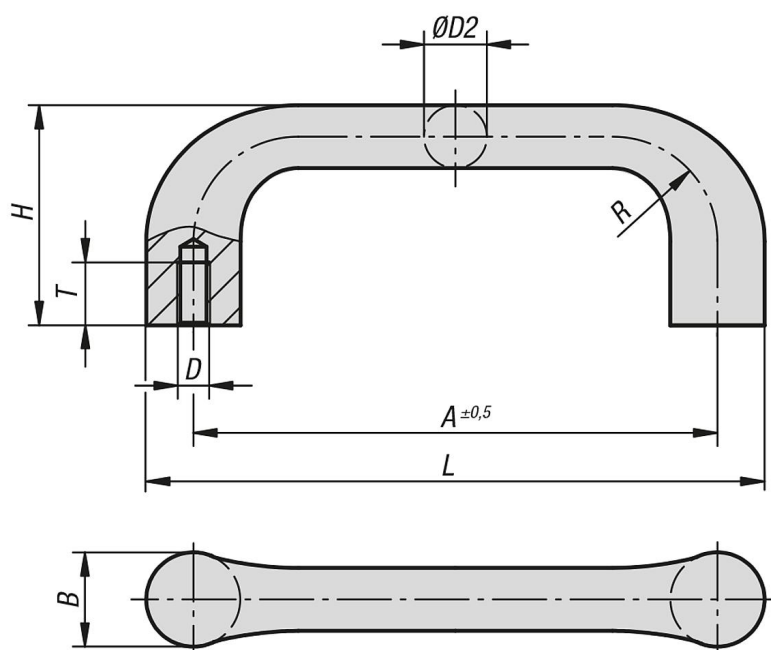
Vibratory ground or black powder-coated.

End faces machined.

Assembly:

From the rear.

Drawings



Overview of items

Pull handles

Order No.	Main colour	A	B	D	D2	H	L	R	T	Load capacity N
K0186.10006	bright	100	18	M6	12	42	118	20	12	1000
K0186.11208	bright	112	20	M8	14	47	132	22	15	1000
K0186.12510	bright	125	22	M10	16	53	147	24	18	1000
K0186.14012	bright	140	25	M12	18	59	165	26	20	1000
K0186.100061	black	100	18	M6	12	42	118	20	12	1000
K0186.112081	black	112	20	M8	14	47	132	22	15	1000
K0186.125101	black	125	22	M10	16	53	147	24	18	1000
K0186.140121	black	140	25	M12	18	59	165	26	20	1000

