

# Triangular grips with high collar

## Item description/product images



### Description

**Material:**

Black thermoset PF 31.

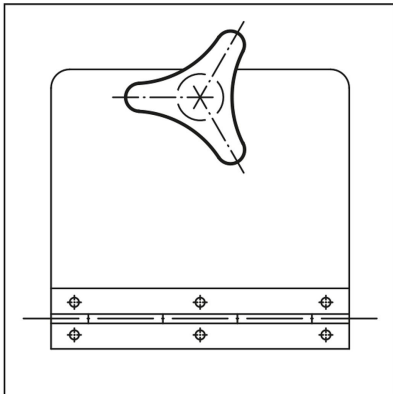
Bush and screw electro zinc-plated steel or bright stainless steel.

**Version:**

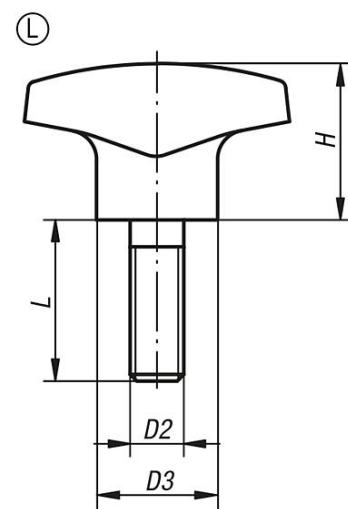
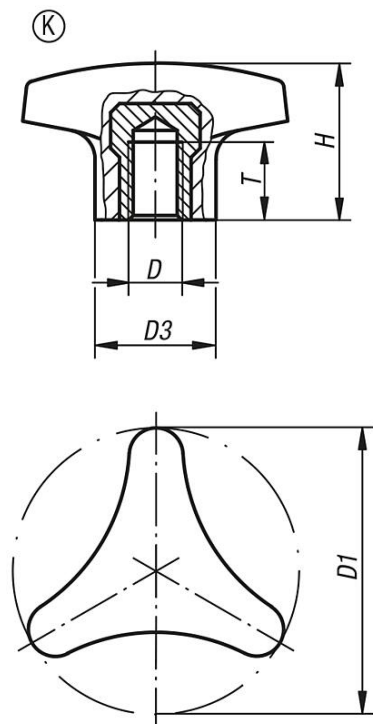
High-gloss polished.

**On request:**

Other screw sizes, screw lengths and colours.



## Drawings



## Overview of items

### Triangular grips with high collar, internal thread

Order No.	Form	Component material	D	D1	D3	H	T	L
K0183.14006	K	steel	M6	40	14	22	12	-
K0183.15008	K	steel	M8	50	18	28	14	-

## Triangular grips with high collar

### Overview of items

Order No.	Form	Component material	D	D1	D3	H	T	L
K0183.16210	K	steel	M10	62	22	35	14	-
K0183.24006	K	stainless steel	M6	40	12	22	9	-
K0183.25008	K	stainless steel	M8	50	15	28	13	-
K0183.26210	K	stainless steel	M10	62	18	35	13	-
K0183.14006X15	L	steel	M6	40	14	22	-	15
K0183.14008X20	L	steel	M8	40	14	22	-	20
K0183.15008X20	L	steel	M8	50	18	28	-	20
K0183.15010X25	L	steel	M10	50	22	28	-	25
K0183.16210X25	L	steel	M10	62	22	35	-	25
K0183.24006X20	L	stainless steel	M6	40	12	22	-	20
K0183.24008X20	L	stainless steel	M8	40	12	22	-	20
K0183.25008X20	L	stainless steel	M8	50	15	28	-	20
K0183.25010X30	L	stainless steel	M10	50	15	28	-	30
K0183.26210X30	L	stainless steel	M10	62	18	35	-	30