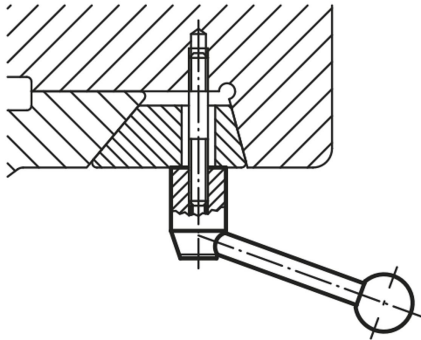


Tension levers

Item description/product images



Description

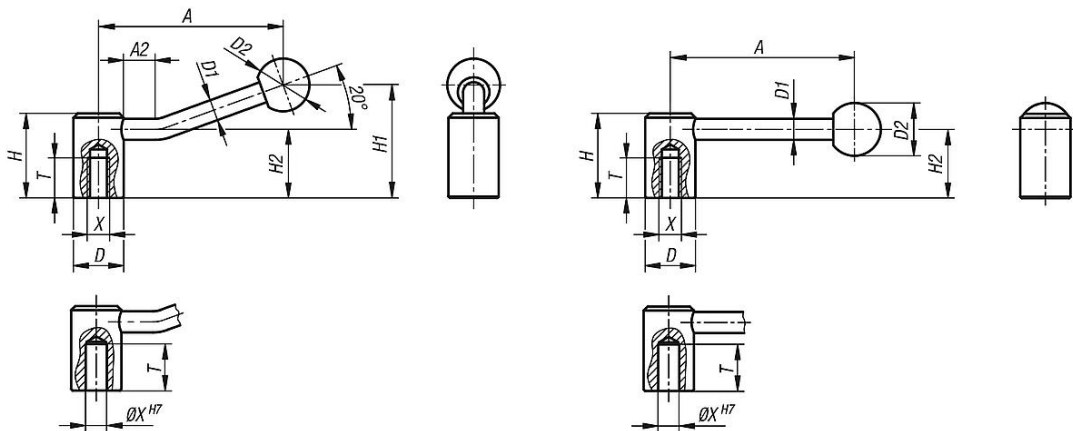
Material:
Steel parts grade 5.8.
Ball knob black plastic.

Version:
Black oxidised.

Note:
Tension levers can be used for simple clamping or control operations.
Where applicable, there must be enough space available so that the grip can be rotated 360°.

On request:
Other female threads, reamed holes and special versions.
Dimension "A" available in other lengths at extra charge.

Drawings



Overview of items

Tension levers

Order No.	Kind of fastening	Form	X	T	A=Handle length	A2	D	D1	D2	H	H1	H2
K0176.2082	internal thread	0°	M8	18	88,1	-	24	10	25	40	-	32,5
K0176.2102	internal thread	0°	M10	18	88,1	-	24	10	25	40	-	32,5
K0176.21012	internal thread	0°	M10	20	104	-	28	12	32	46	-	36,5
K0176.2122	internal thread	0°	M12	20	104	-	28	12	32	46	-	36,5
K0176.2162	internal thread	0°	M16	23	126,5	-	33	13	32	52	-	41
K0176.2202	internal thread	0°	M20	26	128,5	-	41	13	32	61	-	49
K0176.208	internal thread	20°	M8	18	84,5	15	24	10	25	40	52,5	32,5
K0176.210	internal thread	20°	M10	18	84,5	15	24	10	25	40	52,5	32,5
K0176.2101	internal thread	20°	M10	20	100	15	28	12	32	46	61	36,5
K0176.212	internal thread	20°	M12	20	100	15	28	12	32	46	61	36,5
K0176.216	internal thread	20°	M16	23	121	15	33	13	32	52	72	41
K0176.220	internal thread	20°	M20	26	123	15	41	13	32	61	80	49

Overview of items

Order No.	Kind of fastening	Form	X	T	A=Handle length	A2	D	D1	D2	H	H1	H2
K0176.1102	reamed hole	0°	10	22	88,1	-	24	10	25	40	-	32,5
K0176.1122	reamed hole	0°	12	25	104	-	28	12	32	46	-	36,5
K0176.1142	reamed hole	0°	14	25	104	-	28	12	32	46	-	36,5
K0176.1162	reamed hole	0°	16	28	126,5	-	33	13	32	52	-	41
K0176.1202	reamed hole	0°	20	32	128,5	-	41	13	32	61	-	49
K0176.110	reamed hole	20°	10	22	84,5	15	24	10	25	40	52,5	32,5
K0176.112	reamed hole	20°	12	25	100	15	28	12	32	46	61	36,5
K0176.114	reamed hole	20°	14	25	100	15	28	12	32	46	61	36,5
K0176.116	reamed hole	20°	16	28	121	15	33	13	32	52	72	41
K0176.120	reamed hole	20°	20	32	123	15	41	13	32	61	80	49