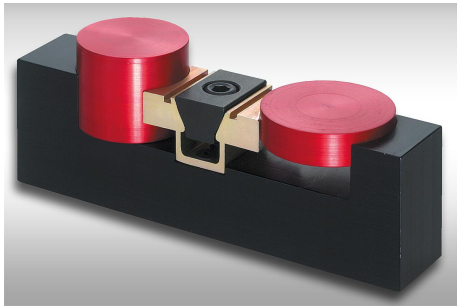


Wedge clamps machinable

Item description/product images



Description

Material:

Channel aluminium profile.

Wedge hardened steel.

Version:

Channel anodised.

Wedge black oxidised.

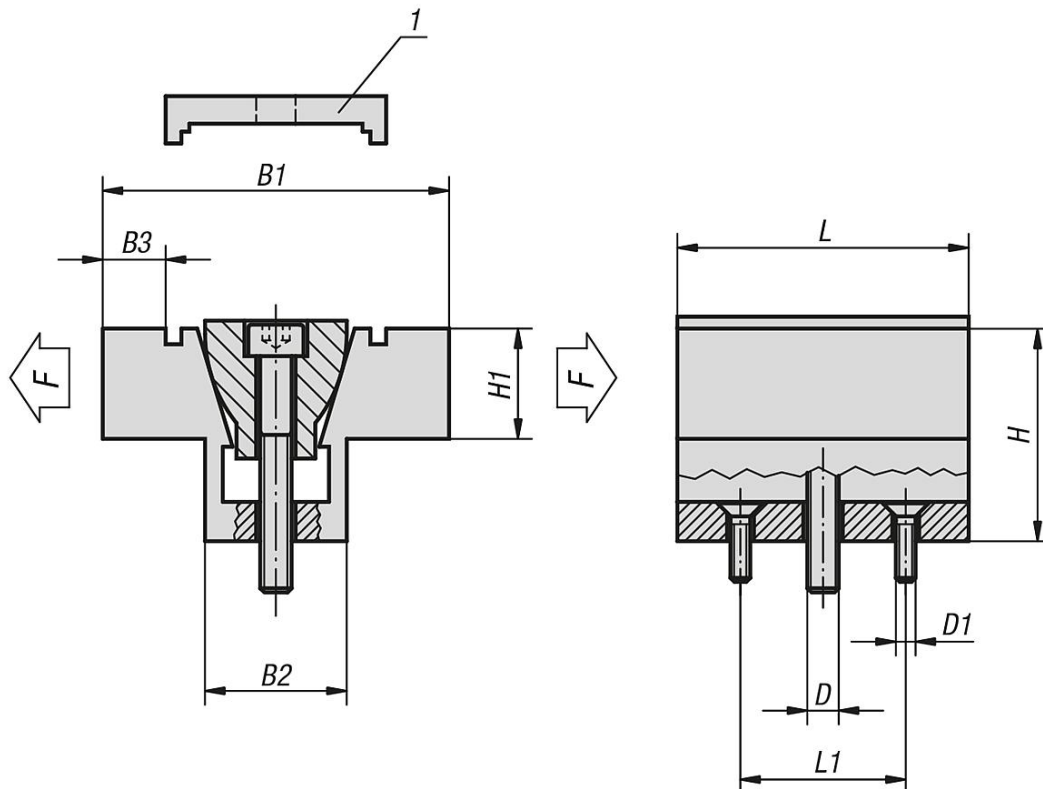
Note:

Two workpieces can be held simultaneously with the wedge clamp. The jaws have extra material allowing them to be machined to conform to the shape of the workpiece. The compact design allows space-saving series clamping.

Drawing reference:

1) The locking plate is only used for machining the form, not for clamping the workpiece.

Drawings



Overview of items

Wedge clamps machinable

Wedge clamps machinable

Overview of items

Order No.	D	D1	L	L1	B1 min. - max.	B2	B3	H	H1	Clamping force max. kN	Tightening torque max. Nm
K0038.04	M4	M2	15,7	10,16	28,6 - 29,1	10,6	4,6	12,7	6,3	2,2	3,4
K0038.06	M6	M4	23,9	15,9	38,1 - 39	16,1	6,6	19,1	9,4	6,7	14,3
K0038.08	M8	M4	31,8	20,6	50,8 - 52	20,8	9,9	25,4	12,7	8,9	14,5
K0038.12	M12	M5	47,5	30,5	76,2 - 78	30,9	15,7	38,1	19	15,6	38,4
K0038.16	M16	M6	63,5	41,28	101,6 - 103,9	41,3	20,3	50,8	25,4	26,7	74,6