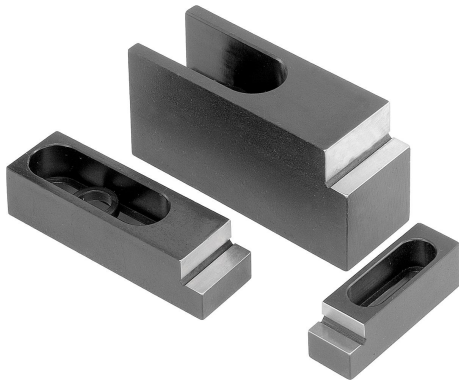


## Riser stops

### Item description/product images



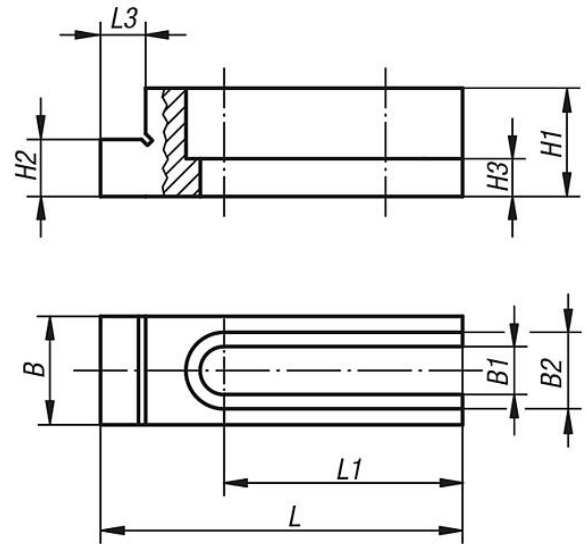
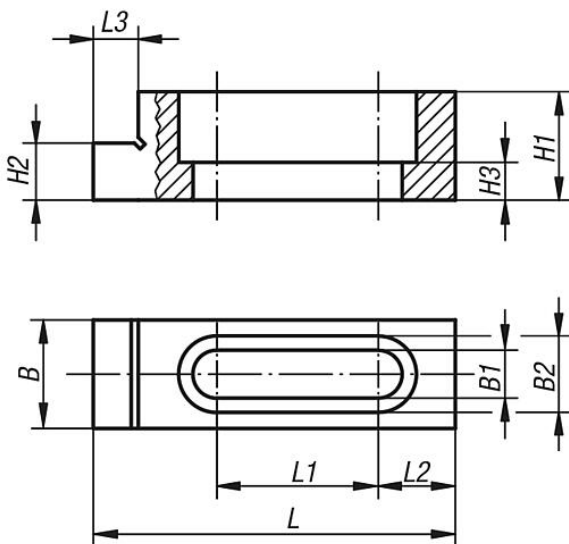
### Description

**Material:**  
Steel.

**Version:**  
Tempered, black oxidised.  
Riser faces ground.

**Note:**  
Also called multi-fixture clamps and stops.  
Cost-effective custom made clamping fixtures can be produced using the adjustable riser cam clamps together with the matching riser stops.

### Drawings



### Overview of items

#### Riser stops

Order No.	for screws	L	L1	L2	L3	B	B1	B2	H1	H2	H3	Long hole
K0032.08	M8	63,5	28,3	13,5	7,9	19	8,4	13,4	19	11,684 -0,013	6,6	closed
K0032.12	M12	95,2	42,7	12,7	7,9	28,5	13,4	19,8	22	12,192 -0,013	6,9	closed
K0032.16	M16	107	46,2	-	9,5	38	17	24,8	50,7	35,001 -0,013	21,3	open