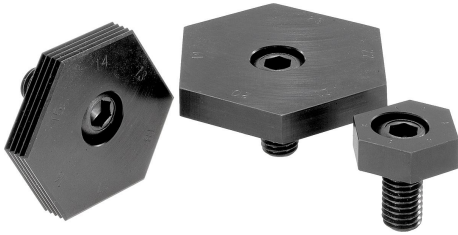


Fixture clamps unequal hexagon

Item description/product images



Description

Product description:

These unequal hexagon fixture clamps can minimise the cost of clamping in fixtures. The clamping range can be altered up to 17 mm from the same tapped hole. Simply rotate the hexagon washer.

Material:

Cam screw steel tempered to 10.9.
Hexagon washer mild steel.

Version:

Cam screw black oxidised.
Hexagon washer hardened and black oxidised.

Note:

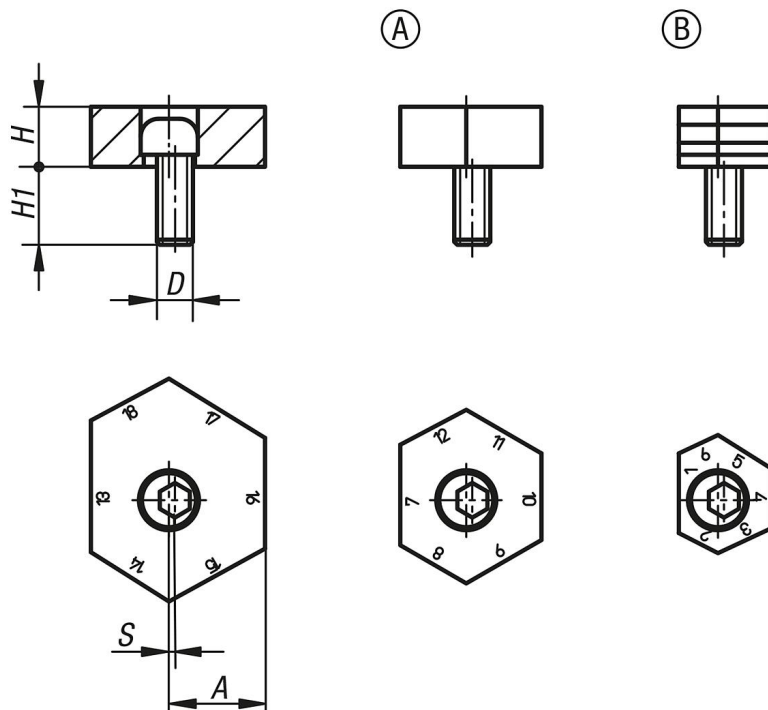
The washers are available with smooth edges for machined faces or with serrated edges for rough faces.

The "distance A" is set by simply turning the hexagonal clamp, the 6 edges of which have a distance to the centre of the screw that differs by 1 mm in each case.

On request:

Replacement cam screws.

Drawings



Overview of items

Fixture clamps unequal hexagon

Fixture clamps unequal hexagon

Overview of items

Order No.	Form	Version	Distance A by face No.	D	H	H1	S (cam travel)	Clamping force kN
K0023.09	A	smooth	1/12, 2/13, 3/14, 4/15, 5/16, 6/17	M12	10	22	1	18
K0023.10	A	smooth	7/18, 8/19, 9/20, 10/21, 11/22, 12/23	M12	10	22	1	18
K0023.11	A	smooth	13/24, 14/25, 15/26, 16/27, 17/28, 18/29	M12	10	22	1	18
K0023.13	B	serrated	1/12, 2/13, 3/14, 4/15, 5/16, 6/17	M12	10	22	1	18
K0023.14	B	serrated	7/18, 8/19, 9/20, 10/21, 11/22, 12/23	M12	10	22	1	18
K0023.15	B	serrated	13/24, 14/25, 15/26, 16/27, 17/28, 18/29	M12	10	22	1	18