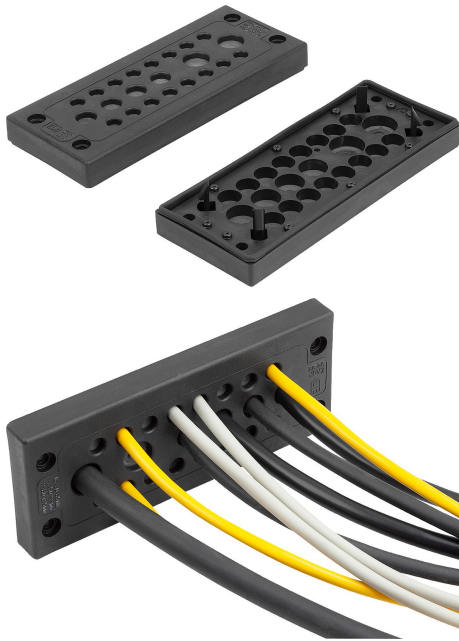


## Cable gland plates

### Item description/product images



### Description

**Material:**

Frame polyamide PA66 GF25 V-0.

Elastomer plate EPDM, ozone resistant acc. to DIN 53509, Stage 0 (best stage).

Seal TPE TPV.

**Version:**

Black.

**Note:**

The cable gland plates are suitable for leading through cables without plugs (non-assembled lines). Cables, wires, hoses, pneumatic and hydraulic lines can be routed through.

The lines can be inserted without piercing. The elastomer plate adapts to the cables and provides optimum sealing and strain relief. Unused ducts remain securely closed and sealed.

Available with different glands or as a blind plate.

Rating IP66.

Certificates / standards met:

UL 514B

UL / CSA-File E140310

**Temperature range:**

-30 °C to +100 °C

**Assembly:**

For mounting cutouts 36 x 112 mm.

The cable gland plates can be snapped into the cut-out without the use of tools. (for a sheet thickness of 1.5 - 2 mm).

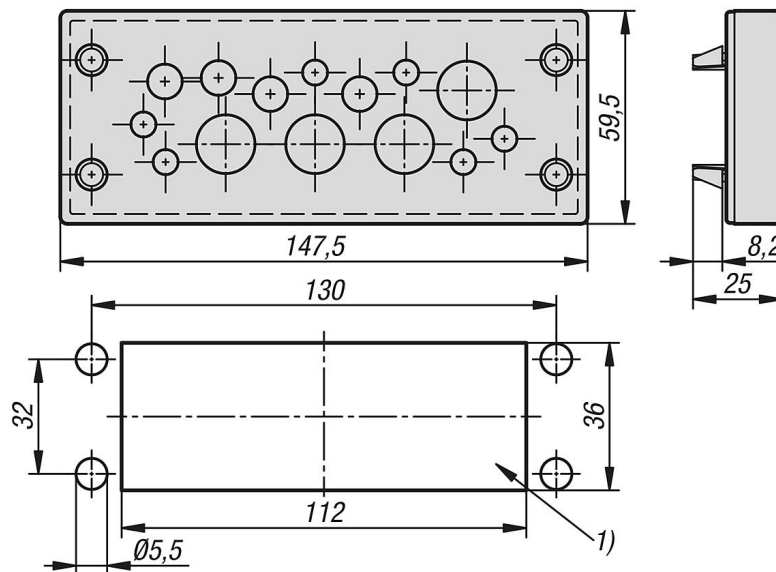
For sheets thicker than 2 mm or applications that require screwing, the cable gland plates can be fastened through holes using M5 screws.

**Drawing reference:**

1) mounting cutout

## Cable gland plates

### Drawings



### Overview of items

#### Cable gland plates

| Order No.    | Max. No. of ducts | For cables<br>No. x cable Ø      |
|--------------|-------------------|----------------------------------|
| K2254.241101 | 11                | 4x3-6,5/4x5-9,2/3x14-20          |
| K2254.241201 | 12                | 12x8-12                          |
| K2254.241301 | 13                | 2x3-5,5/6x4,1-8,1/4x9-14/1x14-20 |
| K2254.241401 | 14                | 6x3-6,5/4x5-9,2/4x9,6-15,9       |
| K2254.241701 | 17                | 17x5-9,2                         |
| K2254.241702 | 17                | 11x3-6,5/1x4,1-8,1/5x8-12,5      |
| K2254.242201 | 22                | 16x3-6,5/4x5-9,2/2x8-12,5        |
| K2254.242302 | 23                | 23x4,1-8,1                       |
| K2254.242901 | 29                | 29x3-6,5                         |
| K2254.240000 | -                 | -                                |