

Gripper screws hexagonal

Item description/product images



Description

Material:

Hex head screw, grade 10.9.

Serrations carbide, hardness 72-74 HRC.

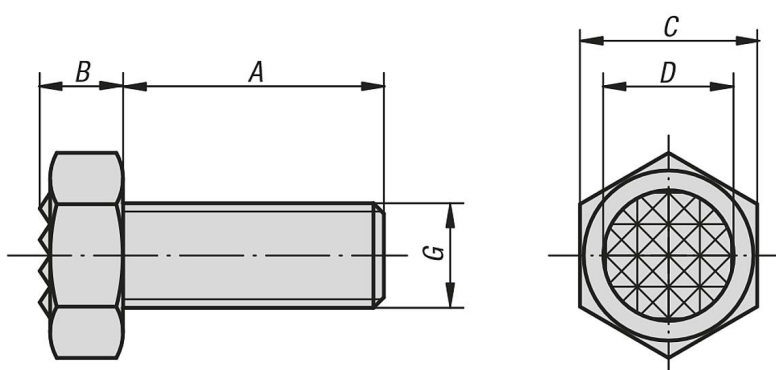
Version:

Black oxidised.

Note:

The serrated carbide tips are soldered in.

Drawings



Overview of items

Gripper screws, hexagonal

Order No.	C	A	B	D	G	Serration
K0386.100612	10	12	5	7,9	M6	extra fine
K0386.1006	10	25	5	7,9	M6	extra fine
K0386.130812	13	12	6,4	9,5	M8	fine
K0386.130816	13	16	6,4	9,5	M8	fine
K0386.1308	13	25	6,4	9,5	M8	fine
K0386.130830	13	30	6,4	9,5	M8	fine
K0386.130835	13	35	6,4	9,5	M8	fine
K0386.1710140	17	40	7,5	12,7	M10x1,25	fine
K0386.1710125	17	25	7,5	12,7	M10x1,25	fine
K0386.171012	17	12	7,5	12,7	M10	fine
K0386.1710	17	25	7,5	12,7	M10	fine
K0386.17102	17	40	7,5	12,7	M10	fine
K0386.1912	19	25	8,7	15,9	M12	fine
K0386.19122	19	40	8,7	15,9	M12	fine
K0386.2416	24	35	11	19	M16	fine
K0386.24162	24	50	11	19	M16	fine
K0386.3020	30	40	13,7	25,4	M20	extra fine
K0386.30202	30	60	13,7	25,4	M20	extra fine

