

## Quarter-turn locks, stainless steel, small version

### Item description/product images



### Description

**Material:**

Housing, stainless steel 1.4404.

Actuation and fastening nut, stainless steel 1.4404.

**Version:**

Bright.

**Note:**

The quarter turn lock can be installed pre-assembled. For right or left use. Water and dust protected acc. to IP65 from DIN EN 60529.

Please order required tongue version separately. Every tongue can be combined with every housing.

**Accessory:**

Key K0535.

Tongue for stainless steel quarter-turn lock K1340.

**Drawing reference:**

Actuation:

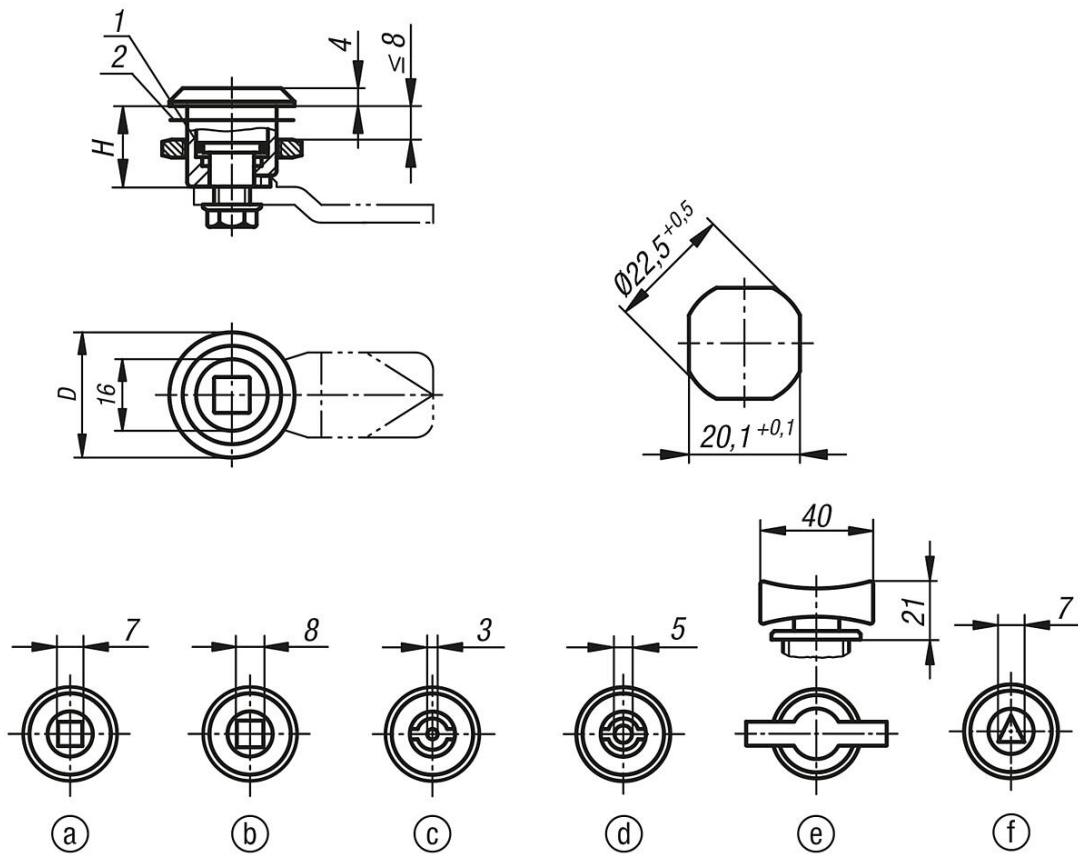
- a) square 7 mm
- b) square 8 mm
- c) double lug 3 mm
- d) double lug 5 mm
- e) T-grip
- f) triangle 7 mm

1) O-ring

2) flat seal

## Quarter-turn locks, stainless steel, small version

### Drawings



### Overview of items

Order No.	Actuation	D	H	S max.
K1351.1718	square 7 mm	28	18	8
K1351.1818	square 8 mm	28	18	8
K1351.4318	double lug 3 mm	28	18	8
K1351.4518	double lug 5 mm	28	18	8
K1351.0018	wing grip	28	18	8
K1351.8718	Triangle 7 mm	28	18	8