

Quarter-turn locks, stainless steel small version

Item description/product images



Description

Material:

Housing 1.4404 stainless steel.
Actuation and fastening nut 1.4404 stainless steel.
Tongue 1.4301 stainless steel.

Version:

Bright.

Note:

The quarter turn lock can be installed pre-assembled. For right or left use. Water and dust protected acc. to IP65 from DIN EN 60529.

Please order required tongue version separately. Every tongue can be combined with every housing.

Accessory:

Key K0535.
Tongue for stainless steel quarter-turn lock K1340.

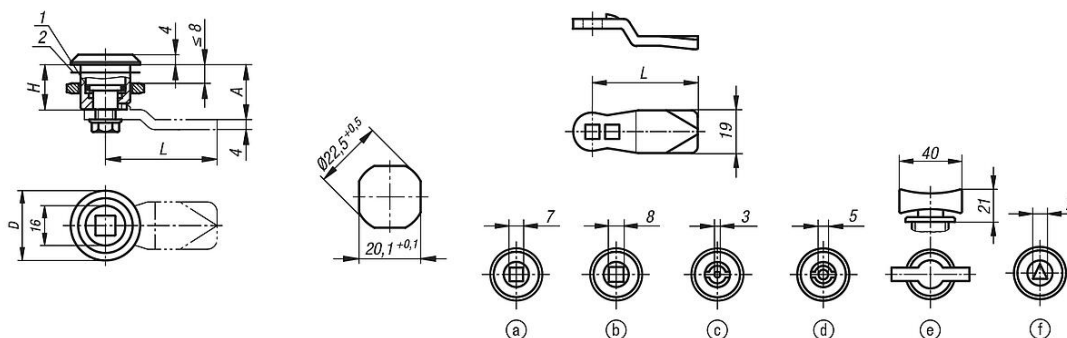
Drawing reference:

Actuation:

- a) square 7 mm
- b) square 8 mm
- c) double lug 3 mm
- d) double lug 5 mm
- e) T-grip
- f) triangle 7 mm

- 1) O-ring
- 2) flat seal

Drawings



Overview of items

Quarter-turn locks, stainless steel, small version

Order No.	Actuation	D	H	S max.
K1351.1718	square 7 mm	28	18	8
K1351.1818	square 8 mm	28	18	8

Quarter-turn locks, stainless steel small version

Overview of items

Order No.	Actuation	D	H	S max.
K1351.4318	double lug 3 mm	28	18	8
K1351.4518	double lug 5 mm	28	18	8
K1351.0018	wing grip	28	18	8
K1351.8718	Triangle 7 mm	28	18	8

Tongue for quarter-turn locks

Order No.	A	L
K1340.45060	6	45
K1340.45080	8	45
K1340.45100	10	45
K1340.45140	14	45
K1340.45160	16	45
K1340.45180	18	45
K1340.45200	20	45
K1340.45220	22	45
K1340.45240	24	45
K1340.45260	26	45
K1340.45280	28	45
K1340.45320	32	45
K1340.45500	50	45