

Quarter-turn locks, zinc

Item description/product images



Description

Material:

Housing, actuator and nut, die-cast zinc or PA6 GFR 30 plastic.
Flat seal rubber.
Tongue steel.

Version:

Housing, actuator and nut trivalent passivated or black.
Tongue electro zinc-plated.

Note:

Quarter-turn lock with spring-loaded tongue. Right or left deployment. The lock can be installed pre-assembled. The fastening nut is an earthing nut with teeth one side.

Vibration-proof (except plastic version), a catch prevents independent opening.
Water and dust tight according to IP65.

Please order the desired tongue type separately. Every tongue can be combined with every housing.

Accessory:

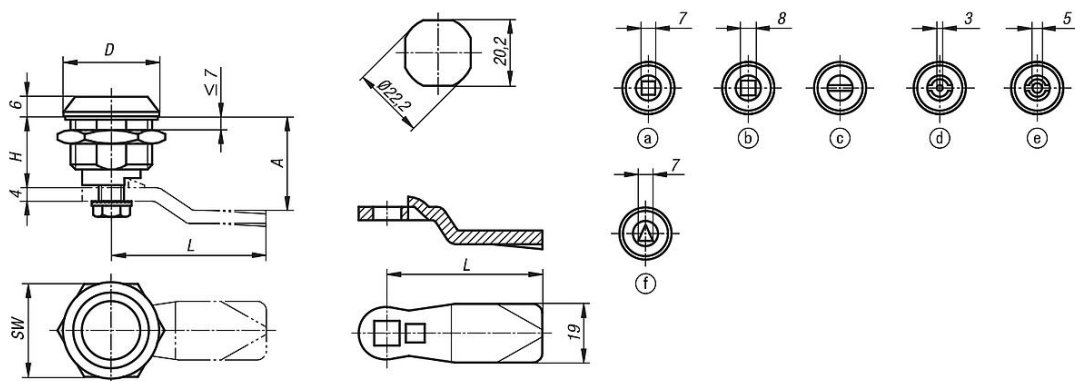
Key K0535.
Tongue for steel quarter-turn lock K0523.

Drawing reference:

Actuation:

- a) square 7 mm
- b) square 8 mm
- c) slit
- d) double lug 3 mm
- e) double lug 5 mm
- f) triangle 7 mm

Drawings



Overview of items

Quarter-turn locks, zinc

Quarter-turn locks, zinc

Overview of items

Order No.	Material	D	Actuation	S max.	SW	H
K0522.17181	zinc	30	square 7 mm	7	27	18,5
K0522.18181	zinc	30	square 8 mm	7	27	18,5
K0522.18185	plastic	28	square 8 mm	7	27	18,5
K0522.20181	zinc	30	slot	7	27	18,5
K0522.20185	plastic	28	slot	7	27	18,5
K0522.43181	zinc	30	double lug 3 mm	7	27	18,5
K0522.43185	plastic	28	double lug 3 mm	7	27	18,5
K0522.45181	zinc	30	double lug 5 mm	7	27	18,5
K0522.45185	plastic	28	double lug 5 mm	7	27	18,5
K0522.87181	zinc	30	Triangle 7 mm	7	27	18,5
K0522.87185	plastic	28	Triangle 7 mm	7	27	18,5