

Centring pins for central hole

Item description/product images



Description

Material:

Steel.

Version:

Case-hardened.

Toleranced diameter ground.

Note:

Form A

Locating pin for baseplates with grid holes.

Form B

Locating pin for baseplates with T-slots.

Accessory:

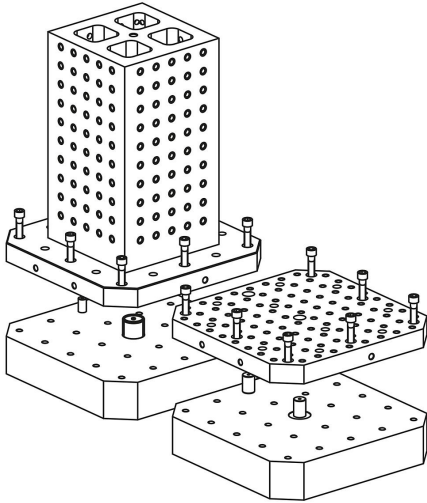
Subplates K0806.

Tombstones cube K0805.

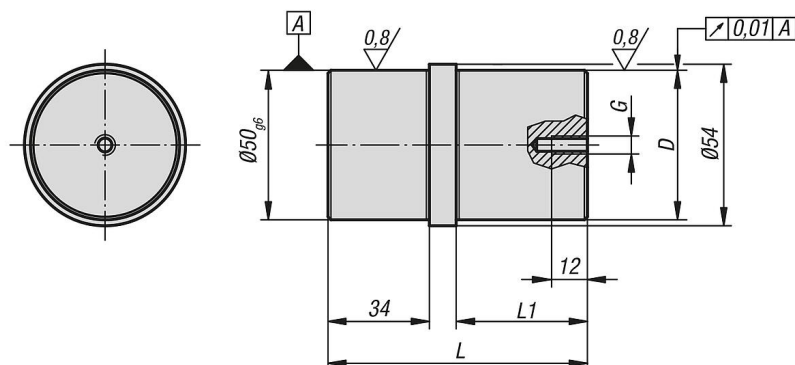
Clamping towers K1533, K1534, K1535.

Tooling angle plates K0803, K0804.

Baseplates K1532.



Drawings



Centring pins for central hole

Overview of items

Centering pins for central hole

Order No.	Form	D	G	L	L1
K0856.5025	A	25 g6	M6	77	34
K0856.5030	A	30 h6	M6	87	44
K0856.5050	A	50 g6	M6	87	44
K0856.50301	B	30 h6	M8	79	36