

Quarter-turn locks in Hygienic DESIGN

Item description/product images



Description

Material:

Housing, actuator and fastening nut stainless steel 1.4404.
O-rings silicone, red or blue, FDA-compliant.
Tongue and locking screw stainless steel 1.4301.

Version:

Bright.

Note:

The quarter-turn lock fulfils the hygiene requirements of DIN EN ISO 14159 and DIN EN 1672-2.
Particularly suitable for use in the food and beverage industry.

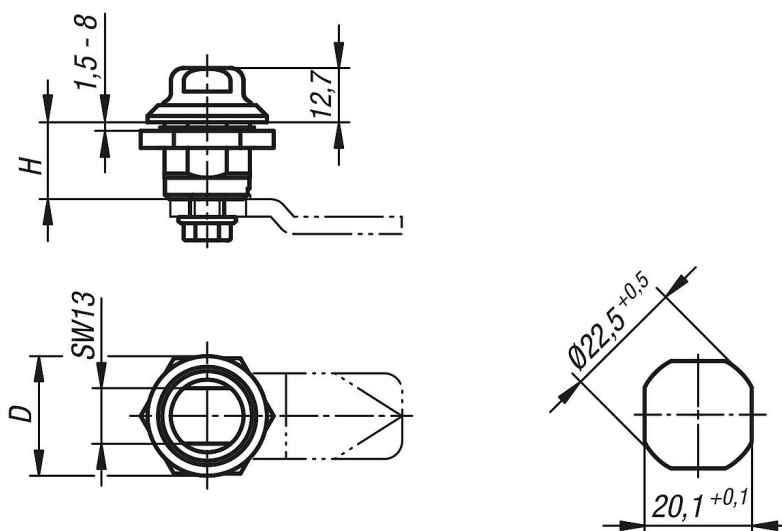
O-rings (FDA-compliant) prevent the ingress of liquid and formation of contamination.

IP65 / IP67 / IP69K in accordance with DIN EN 60529 / DIN 40050.
Please order the tongue in the desired version separately. Every tongue can be combined with every housing.

Accessory:

Lock key K1335.113
Ring spanner K1362.16
Protective insert K1362.1613

Drawings



Overview of items

Order No.	Component colour	Actuation	D	H
K1353.18	red	double flat	28	18
K1353.181	blue	double flat	28	18

