

Rigid couplings two-piece

Item description/product images



Description

Material:

Steel 1.0718.
Stainless steel 1.4305.

Version:

Steel black oxidised.
Stainless steel bright.

Note:

Rigid couplings transmit high torques without rotational play. They are used where there are no shaft displacements or alignment errors. Wear-free and maintenance-free. Screws secured to avoid vibration induced loosening.

The maximum torque transmission can only be achieved through optimal installation and correct shaft dimensions.

Maximum speed 4000 rpm.

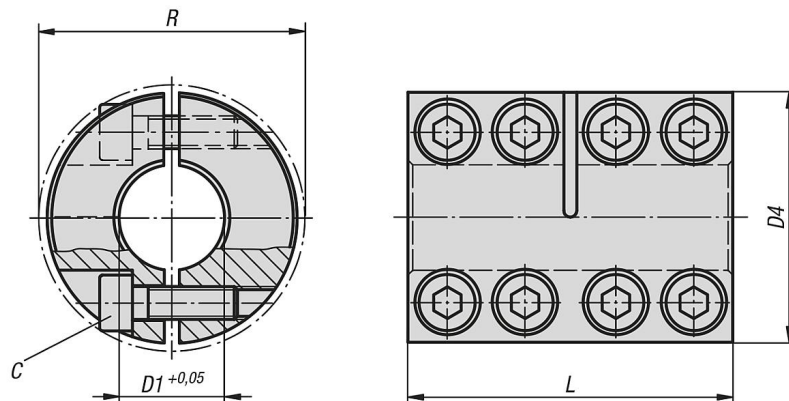
Temperature range:

-40 °C - +175 °C.

On request:

Other dimensions.
Version with DIN 6885/1 parallel keyway, tolerance P9.

Drawings



Overview of items

Two-piece rigid couplings, steel

Order No.	Main material	C (DIN 912-12.9)	Tightening torque of screws Nm	D1	D4	L	R	Nominal torque Nm
K2065.1080	steel	M3x8	2,1	8	24	35	26,8	50
K2065.1100	steel	M4x12	4,6	10	29	45	32,7	70
K2065.1120	steel	M4x12	4,6	12	29	45	32,7	70
K2065.1140	steel	M5x16	9,5	14	34	50	39,4	190
K2065.1150	steel	M5x16	9,5	15	34	50	39,4	190

Rigid couplings two-piece

Overview of items

Order No.	Main material	C (DIN 912-12.9)	Tightening torque of screws Nm	D1	D4	L	R	Nominal torque Nm
K2065.1160	steel	M5x16	9,5	16	34	50	39,4	190
K2065.1190	steel	M6x18	16	19	42	65	48,2	300
K2065.1200	steel	M6x18	16	20	42	65	48,2	350
K2065.1250	steel	M6x18	16	25	45	75	50,8	390
K2065.1300	steel	M6x18	16	30	54	83	58,6	475
K2065.1350	steel	M8x25	39	35	67	95	74,1	1100
K2065.1400	steel	M8x25	39	40	77	108	83,4	1325
K2065.1500	steel	M10x25	77	50	85	124	93,2	2250

Two-piece rigid couplings, stainless steel

Order No.	Main material	C (DIN 912 A2-70)	Tightening torque of screws Nm	D1	D4	L	R	Nominal torque Nm
K2065.2080	stainless steel	M3x8	1,1	8	24	35	26,8	16
K2065.2100	stainless steel	M4x12	2,5	10	29	45	32,7	70
K2065.2120	stainless steel	M4x12	2,5	12	29	45	32,7	70
K2065.2140	stainless steel	M5x16	5,4	14	34	50	39,4	160
K2065.2150	stainless steel	M5x16	5,4	15	34	50	39,4	160
K2065.2160	stainless steel	M5x16	5,4	16	34	50	39,4	160
K2065.2190	stainless steel	M6x18	9,6	19	42	65	48,2	260
K2065.2200	stainless steel	M6x18	9,6	20	42	65	48,2	300
K2065.2250	stainless steel	M6x18	9,6	25	45	75	50,8	325
K2065.2300	stainless steel	M6x18	9,6	30	54	83	58,6	400
K2065.2350	stainless steel	M8x25	23	35	67	95	74,1	438
K2065.2400	stainless steel	M8x25	23	40	77	108	83,4	445
K2065.2500	stainless steel	M10x25	46	50	85	124	93,2	688