

Pull handles, stainless steel

Item description/product images



Description

Product description:

This pull handle is characterised by its large size and pleasant haptics. Easy to clean due to its closed and smooth design (i.e. suitable for foodstuff production, medical technology).

Material:

Pull handle investment cast stainless steel 1.4404.
Screw, nut and washer stainless steel (1.4404).

Version:

Abrasive blasted und electropolished.

Assembly:

Form A from the front.
Form B from the rear.

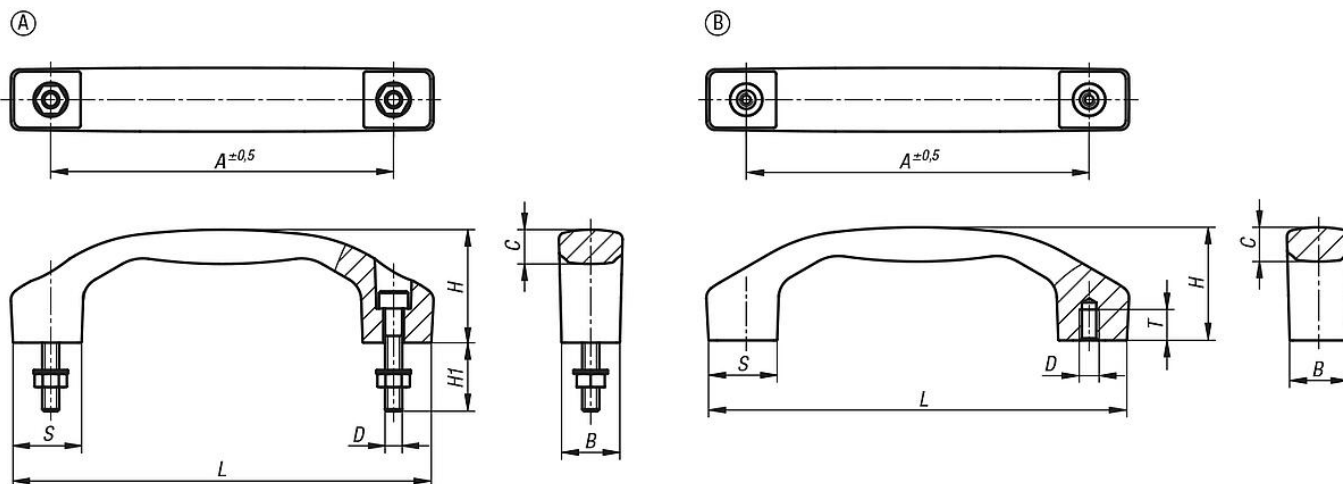
Advantages:

Element for opening and closing covers, panels and hoods.
Application fields: machine and plant construction, toolmaking, furniture industry, rehabilitation and medical technology.
Torsionally strong and user friendly.

Supplied with:

Form A includes fastening screws, washers and nuts.

Drawings



Overview of items

Pull handles stainless steel

Order No.	Form	Form definition	A	B	C	D	H	H1	L	S	T	Load capacity N
K1642.110005	A	with through hole	100	17	9,5	M5	33	20	122	20	-	1000
K1642.112006	A	with through hole	120	21	11,4	M6	39	25	146	24	-	1000
K1642.114008	A	with through hole	140	24	14,2	M8	45	30	170	28	-	1000
K1642.116008	A	with through hole	160	28	15,5	M8	52	30	194	32	-	1000

Pull handles, stainless steel

Overview of items

Order No.	Form	Form definition	A	B	C	D	H	H1	L	S	T	Load capacity N
K1642.118010	A	with through hole	180	31	16	M10	58	40	218	36	-	1000
K1642.210005	B	with internal thread	100	17	9,5	M5	33	-	122	20	7,5	1000
K1642.212006	B	with internal thread	120	21	11,4	M6	39	-	146	24	9	1000
K1642.214008	B	with internal thread	140	24	14,2	M8	45	-	170	28	12	1000
K1642.216008	B	with internal thread	160	28	15,5	M8	52	-	194	32	12	1000
K1642.218010	B	with internal thread	180	31	16	M10	58	-	218	36	15	1000