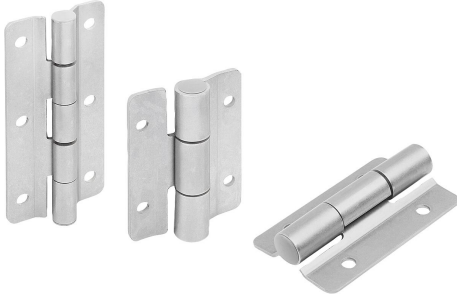


Hinges, stainless steel

Item description/product images



Description

Material:

Stainless steel 1.4310.

Version:

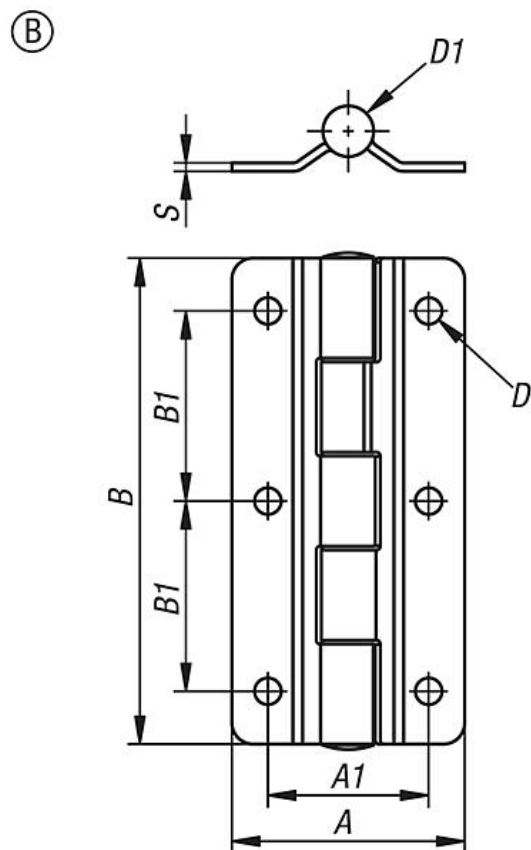
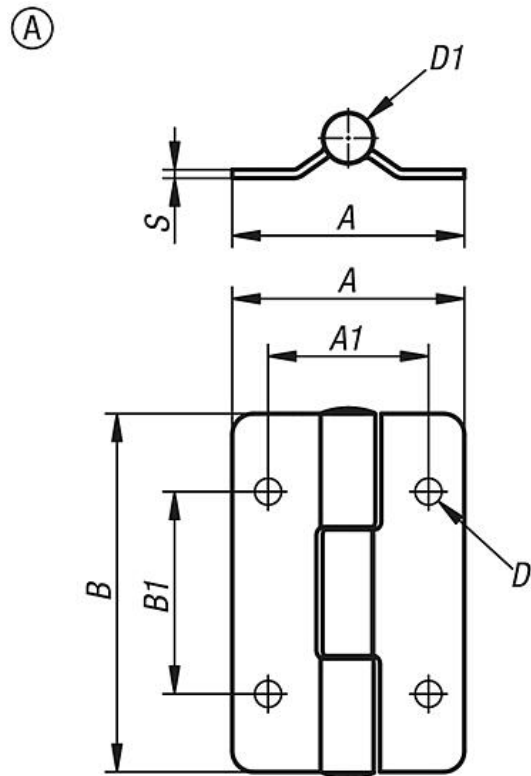
Bright.

Note:

Opening angle is max. 270°.

Accessory:

Hinges, stainless steel with preset friction K1518



Hinges, stainless steel

Overview of items

Hinges, stainless steel

Order No.	Form	A	A1	B	B1	D	D1	S
K1517.558512	A	55	38	85	48	6,3	12	2
K1517.558516	A	55	38	85	48	6,3	16	2
K1517.5511512	A	55	38	115	45	6,3	12	2
K1517.658515	B	65	50	85	48	6,3	15	3