

Hand wheels, steel, stamped

Item description/product images



Description

Material:
Steel.

Version:
Powder-coated black RAL 9005.

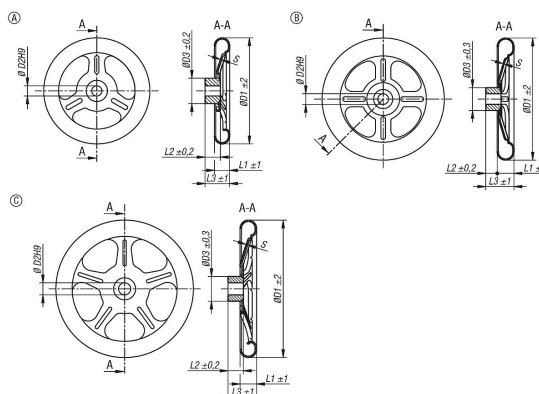
Note:
Wheel body sheet steel.
Hub welded.

Form A: 3-spoke

Form B: 4-spoke

Form C: 5-spoke

Drawings



Overview of items

Hand wheels, steel, stamped

Order No.	Form	Form definition	D1	D2	D3	L1	L2	L3	S	Number of spokes
K1875.0125X12	A	3-spoke	125	12H9	30	18	18	29	1,5	3
K1875.0125X14	A	3-spoke	125	14H9	30	18	18	29	1,5	3
K1875.0160X14	B	4-spoke	160	14H9	30	22	20	37	1,5	4
K1875.0160X16	B	4-spoke	160	16H9	30	22	20	37	1,5	4
K1875.0200X18	B	4-spoke	200	18H9	40	22	24	46	2	4
K1875.0200X22	B	4-spoke	200	22H9	40	22	24	46	2	4
K1875.0250X22	C	5-spoke	250	22H9	45	30	28	52	2,5	5
K1875.0250X26	C	5-spoke	250	26H9	45	30	28	52	2,5	5
K1875.0315X26	C	5-spoke	315	26H9	55	35	33	64	2,5	5
K1875.0315X30	C	5-spoke	315	30H9	55	35	33	64	2,5	5
K1875.0400X30	C	5-spoke	400	30H9	65	40	38	82	3	5