

Spiders, play-free for elastomer dog couplings

Item description/product images



Description

Material:
Polyurethane.

Version:
Coupling spider blue Shore 80A.
Coupling spider yellow Shore 92A.
Coupling spider red Shore 98A.

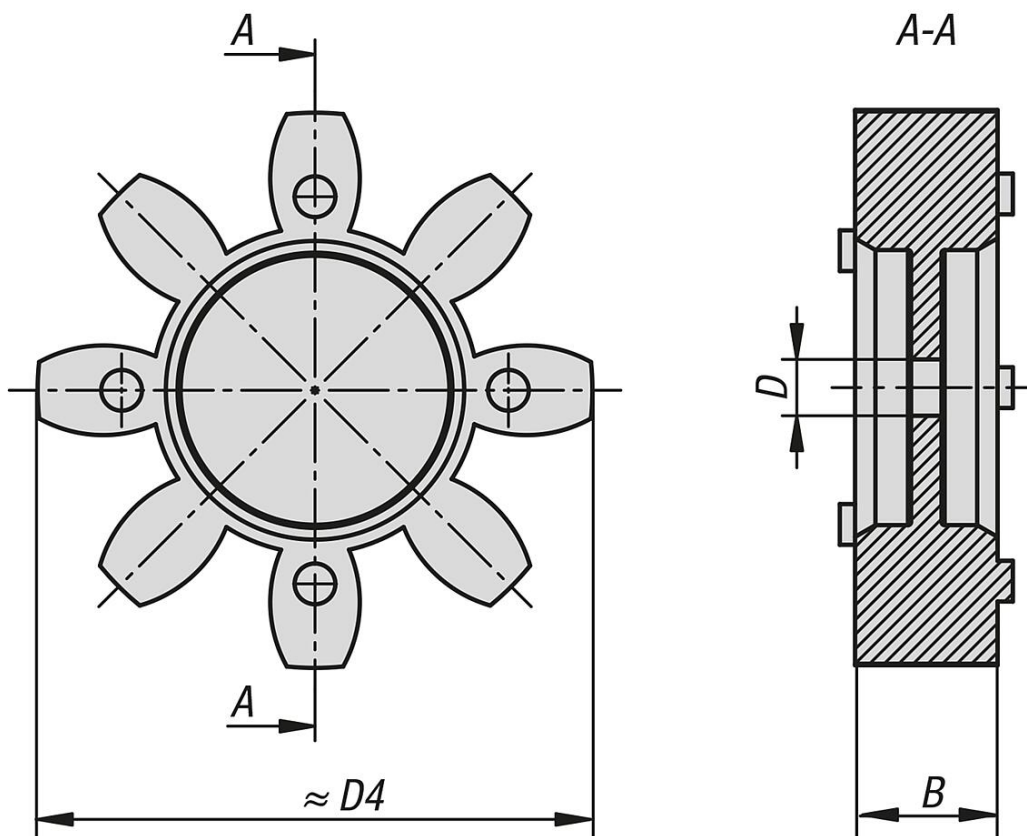
Note:
The spiders are the compensating elements in elastomer dog couplings. As the main component of a coupling, they determine its properties.

The spiders are available in various hardness grades. As the hardness of the coupling spider increases, the torque and stiffness transmitted increases, and as the hardness decreases, the displacement capacity and cushioning increases.

Pre-tensioning of the spiders in the coupling hubs make this variant play-free.

Temperature range:
Blue Shore 80A: -50 °C to +80 °C. Briefly -60 °C to +120 °C.
Yellow Shore 92A: -30 °C to +90 °C. Briefly -50 °C to +120 °C.
Red Shore 98A: -30 °C to +90 °C. Briefly -40 °C to +120 °C.

Drawings



Spiders, play-free for elastomer dog couplings

Overview of items

Spiders, play-free, for elastomer dog couplings

Order No.	Size	Main colour	No. of teeth	B	D4	Torsional stiffness static (Nm/wheel)	Torsional stiffness dynamic Nm/wheel	Spring stiffness radial (N/mm)	max. shaft offset radial (mm)
K1896.0780	7	blue	4	6	14	8,6	26	114	0,15
K1896.0980	9	blue	4	8	20	17,2	52	125	0,2
K1896.1280	12	blue	4	10	25	84,3	252	274	0,2
K1896.1480	14	blue	4	10	30	60,2	180	153	0,21
K1896.1980	19	blue	6	12	40	618	1065	582	0,15
K1896.2480	24	blue	8	14	55	860	1390	840	0,2
K1896.2880	28	blue	8	15	65	1370	2350	990	0,2
K1896.0592	5	yellow	4	4	10	5,16	16	154	0,06
K1896.0792	7	yellow	4	6	14	14,3	43	219	0,10
K1896.0992	9	yellow	4	8	20	31,5	95	262	0,15
K1896.1292	12	yellow	4	10	25	160,4	487	470	0,14
K1896.1492	14	yellow	4	10	30	114,6	344	336	0,15
K1896.1992	19	yellow	6	12	40	1090	1815	1120	0,1
K1896.2492	24	yellow	8	14	55	2300	5130	1900	0,15
K1896.2892	28	yellow	8	15	65	4080	6745	1780	0,15
K1896.3892	38	yellow	8	18	80	11800	21850	4400	0,12
K1896.4292	42	yellow	8	20	95	10870	20500	4100	0,19
K1896.4892	48	yellow	8	21	105	12968	22800	4500	0,23
K1896.0798	7	red	4	6	14	22,9	69	421	0,10
K1896.0998	9	red	4	8	20	51,6	155	518	0,1
K1896.1298	12	red	4	10	25	240,7	718	846	0,08
K1896.1498	14	red	4	10	30	171,9	513	654	0,09
K1896.1998	19	red	6	12	40	1512	2540	2010	0,06
K1896.2498	24	red	8	14	55	3700	8130	2940	0,11
K1896.2898	28	red	8	15	65	6410	9920	3200	0,11
K1896.3898	38	red	8	18	80	26300	40335	6474	0,09
K1896.4298	42	red	8	20	95	21594	37692	5940	0,14
K1896.4898	48	red	8	21	105	25759	49400	6820	0,16

Order No.	max. shaft offset axial (mm)	max. angular offset (°)	Max. torque Nm	Coupling spider hardness	Nom. torque Nm	D max.
K1896.0780	+0,6 / -0,3	1,1	1,4	80 Shore A	0,7	3
K1896.0980	+0,8 / -0,4	1,1	3,6	80 Shore A	1,8	7
K1896.1280	+0,9 / -0,4	1,1	6	80 Shore A	3	8
K1896.1480	+1 / -0,5	1,1	8	80 Shore A	4	10
K1896.1980	+1,2 / -0,5	1,1	12	80 Shore A	6	18
K1896.2480	+1,4 / -0,5	1	34	80 Shore A	17	27
K1896.2880	+1,5 / -0,7	1,3	92	80 Shore A	46	30
K1896.0592	+0,4 / -0,2	1	0,6	92 Shore A	0,5	3
K1896.0792	+0,6 / -0,3	1	2,4	92 Shore A	1,2	3
K1896.0992	+0,8 / -0,4	1	6	92 Shore A	3	7
K1896.1292	+0,9 / -0,4	1	10	92 Shore A	5	8
K1896.1492	+1 / -0,5	1	15	92 Shore A	7,5	10
K1896.1992	+1,2 / -0,5	1	24	92 Shore A	12	18
K1896.2492	+1,4 / -0,5	1	70	92 Shore A	35	27
K1896.2892	+1,5 / -0,7	1	190	92 Shore A	95	30
K1896.3892	+1,8 / -0,7	0,9	650	92 Shore A	325	38
K1896.4292	+2 / -1	1	530	92 Shore A	265	46
K1896.4892	+2,1 / -1	1	620	92 Shore A	310	51
K1896.0798	+0,6 / -0,3	1	4	98 Shore A	2	3
K1896.0998	+0,8 / -0,4	0,9	10	98 Shore A	5	7
K1896.1298	+0,9 / -0,4	0,9	18	98 Shore A	9	8
K1896.1498	+1 / -0,5	0,9	25	98 Shore A	12,5	10
K1896.1998	+1,2 / -0,5	0,9	42	98 Shore A	21	18
K1896.2498	+1,4 / -0,5	0,9	120	98 Shore A	60	27
K1896.2898	+1,5 / -0,7	0,9	320	98 Shore A	160	30
K1896.3898	+1,8 / -0,7	0,8	810	98 Shore A	405	38

Spiders, play-free for elastomer dog couplings

Overview of items

Order No.	max. shaft offset axial (mm)	max. angular offset (°)	Max. torque Nm	Coupling spider hardness	Nom. torque Nm	D max.
K1896.4298	+2 / -1	0,9	900	98 Shore A	450	46
K1896.4898	+2,1 / -1	0,9	1050	98 Shore A	525	51