

Screw rest with flat face, aluminium

Item description/product images



Description

Material:

Aluminium (400 N/mm² tensile strength).
Spindle carbon steel.

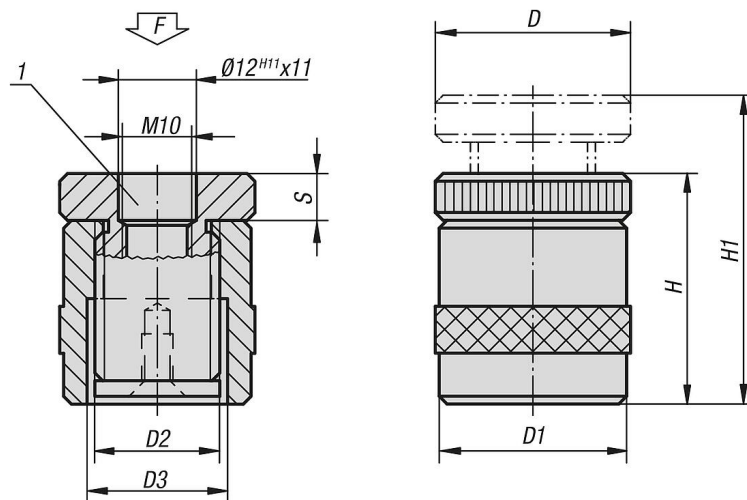
Version:

Self-locking trapezoidal thread, spindle has end lock.

Drawing reference:

1) centring hole for K1961

Drawings



Overview of items

Screw rests with flat support face, aluminium

Order No.	D	D1	D2	D3	H	H1	S	F max. kN
K1943.01	50	50	Tr 30X4	36	42	52	12	30
K1943.02	50	50	Tr 30X4	36	50	70	12	30
K1943.03	50	50	Tr 30X4	36	70	100	12	30

