

## Rectangular support elements

### Item description/product images



### Description

**Material:**

Housing GJL 250, thrust pads and locking parts carbon steel.

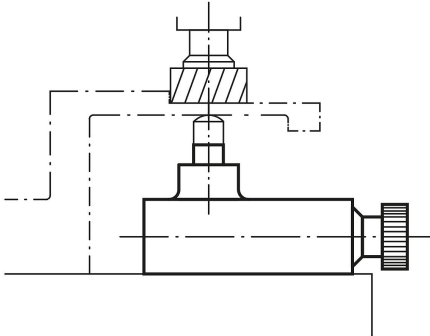
**Version:**

Housing painted, steel parts black oxidised.

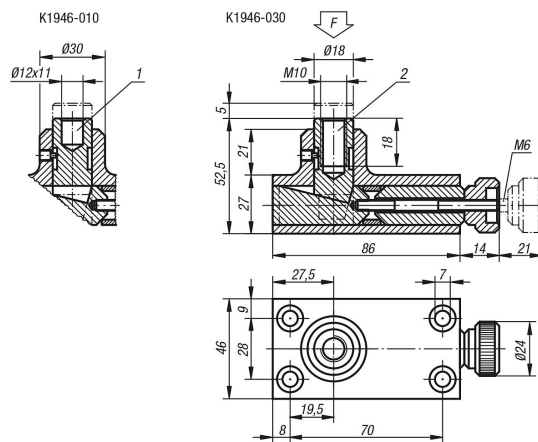
**Drawing reference:**

1) centring hole for K1961

2) tapped hole for: K0282.110, K0282.310, K0282.910, K0296.10, K0296.101



### Drawings



### Overview of items

#### Rectangular Support Elements

Order No.	F max. kN
K1946.010	30
K1946.030	30