

Locating bushes for pneumatic locating cylinder

Item description/product images



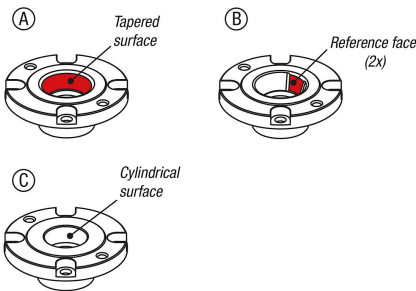
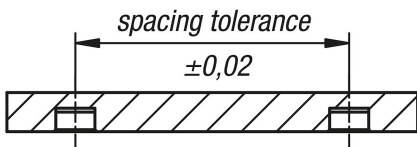
Description

Material:
Carbon steel.

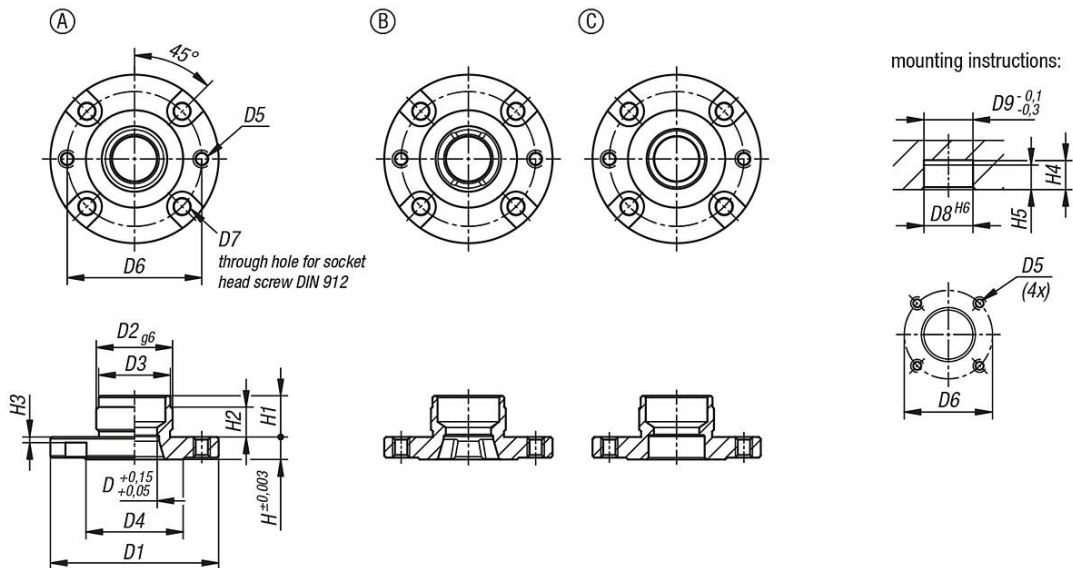
Version:
Housing hardened and black oxidised.
Contact faces ground.

Note:
Locating bushes are placed in a fixture or interchangeable subplate and form the counterpart to the locating cylinder.
The locating bushes are centred in a reamed hole and then fastened with 4 screws.
The balls of the locating cylinder engage in the groove in the locating bush, thereby forming a fast, secure and highly accurate changeover unit, and reducing setup and changeover times.

Attention:
Please observe installation notes of the locating bushes.



Drawings



Overview of items

Locating bushes for pneumatic locating cylinder

Order No.	Form	D	D1	D2	D3	D4	D5	D6	D7	D8	D9	H	H1	H2	H3	H4	H5
K1487.11660	A	16	60	28	27,5	38	M5	50	M5	28	28	8	15	10	2,5	16	12

Locating bushes for pneumatic locating cylinder

Overview of items

Order No.	Form	D	D1	D2	D3	D4	D5	D6	D7	D8	D9	H	H1	H2	H3	H4	H5
K1487.21660	B	16	60	28	27,5	38	M5	50	M5	28	28	8	15	10	2,5	16	12
K1487.31660	C	16	60	28	27,5	38	M5	50	M5	28	28	8	15	10	2,5	16	12
K1487.12075	A	20	75	36	35,5	48	M6	62	M6	36	36	10	19	14	3,5	20	16
K1487.22075	B	20	75	36	35,5	48	M6	62	M6	36	36	10	19	14	3,5	20	16
K1487.32075	C	20	75	36	35,5	48	M6	62	M6	36	36	10	19	14	3,5	20	16