

# Spring plungers push-pull with rotation lock

## Item description/product images



## Description

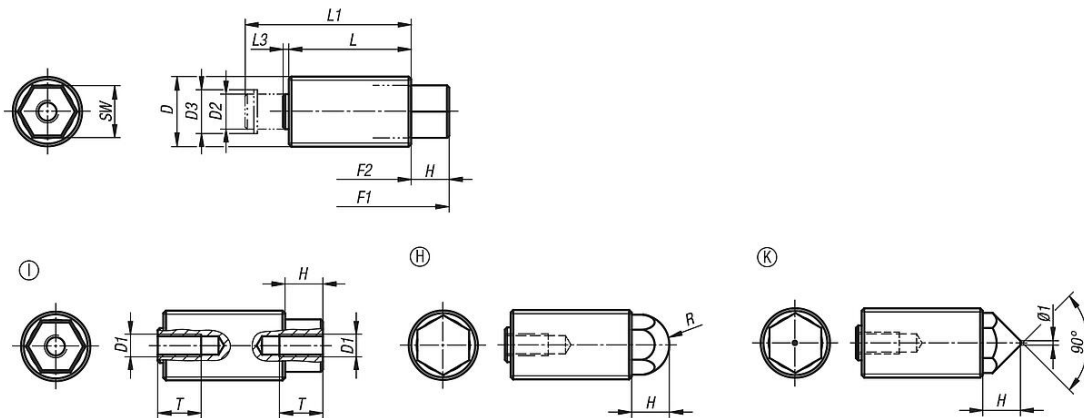
**Material:**  
Steel.

**Version:**  
Threaded sleeve trivalent blue passivated.  
Screw case hardened and black oxidised.  
Spring strength - standard or intensified.

**Note:**

The push-pull spring plungers, also called two-way spring plungers are used to engage, position or clamp various components. The hexagonal tapped pin which cannot rotate can be used for traction or thrust.

## Drawings



## Overview of items

### Push-Pull spring plungers with rotation lock

Order No.	Form	Spring strength	D	D1	D2	D3	F1 N	F2 N	H	L	L1	L3	R	SW	T min.
K0977.1112	I	standard	M12X1,5	M4	5,5	6,78	16	38	6,12	20	27,5	1,38	-	8	8
K0977.1116	I	standard	M16x1,5	M5	8	10	25	71	8,7	28	38	1,3	-	11	10
K0977.1120	I	standard	M20X1,5	M6	10	12,2	40	140	10,3	34	47	2,7	-	14	12
K0977.1212	I	intensified	M12X1,5	M4	5,5	6,78	20	60	6,12	20	27,5	1,38	-	8	8
K0977.1216	I	intensified	M16x1,5	M5	8	10	35	103	8,7	28	38	1,3	-	11	10
K0977.1220	I	intensified	M20X1,5	M6	10	12,2	60	175	10,3	34	47	2,7	-	14	12
K0977.2112	H	standard	M12X1,5	M4	5,5	6,78	16	38	6,12	20	27,5	1,38	5,5	8	8
K0977.2116	H	standard	M16x1,5	M5	8	10	25	71	8,7	28	38	1,3	7	11	10
K0977.2120	H	standard	M20X1,5	M6	10	12,2	40	140	10,3	34	47	2,7	9	14	12
K0977.2212	H	intensified	M12X1,5	M4	5,5	6,78	20	60	6,12	20	27,5	1,38	5,5	8	8
K0977.2216	H	intensified	M16x1,5	M5	8	10	35	103	8,7	28	38	1,3	7	11	10
K0977.2220	H	intensified	M20X1,5	M6	10	12,2	60	175	10,3	34	47	2,7	9	14	12
K0977.3112	K	standard	M12X1,5	M4	5,5	6,78	16	38	6,12	20	27,5	1,38	-	8	8
K0977.3116	K	standard	M16x1,5	M5	8	10	25	71	8,7	28	38	1,3	-	11	10
K0977.3120	K	standard	M20X1,5	M6	10	12,2	40	140	10,3	34	47	2,7	-	14	12
K0977.3212	K	intensified	M12X1,5	M4	5,5	6,78	20	60	6,12	20	27,5	1,38	-	8	8
K0977.3216	K	intensified	M16x1,5	M5	8	10	35	103	8,7	28	38	1,3	-	11	10
K0977.3220	K	intensified	M20X1,5	M6	10	12,2	60	175	10,3	34	47	2,7	-	14	12

## **Spring plungers push-pull with rotation lock**



Overview of items

---