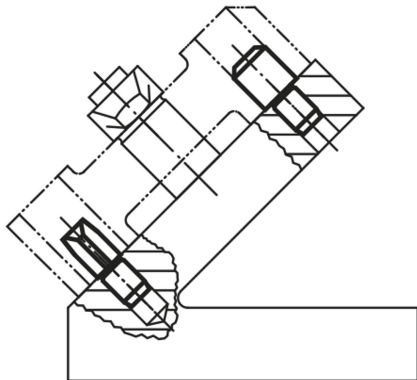
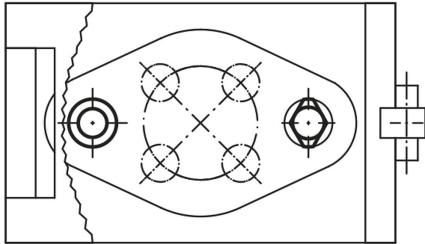


## Locating pins and rest pads DIN 6321

### Item description/product images



### Description

**Material:**  
Tool steel.

**Version:**  
Hardened and ground.

**Note:**

Rest pads Form A are supports for workpieces and fixtures.

Locating pins Form B are for positioning workpieces and fixture components in reamed holes.

The flattened Form C can be used to bridge tolerances in hole spacing or to secure the part to be positioned in one direction only.

Form A and B can also be used as hardened stops and as fixture feet.

For similar pins see K0352, K0353, K0354 and K0355.

**Drawing reference:**

Form A: Rest pad

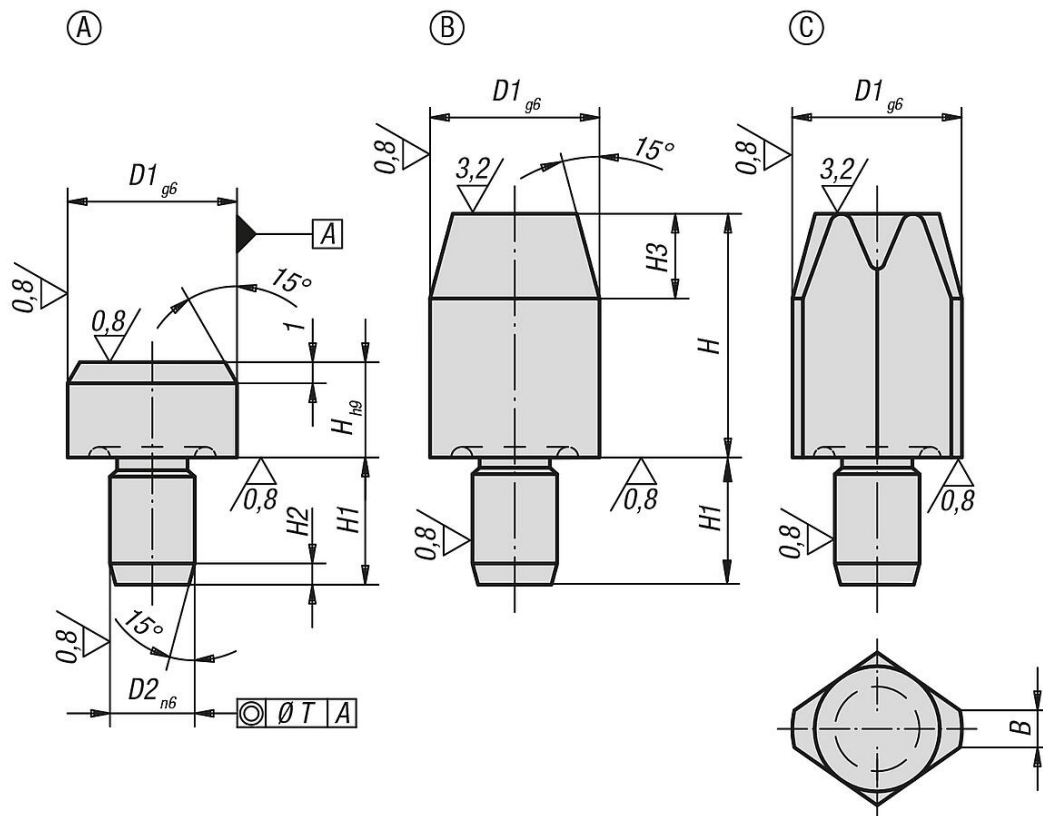
Form B: Cylindrical locating pin

Form C: Flattened locating pin

For other dimensions see Form A.

# Locating pins and rest pads DIN 6321

## Drawings



## Overview of items

### Locating pins and rest pads DIN 6321

Order No.	Form	Version 1	B	D1	D2	H	H1	H2	H3	T
K0293.106	A	without centre bore	-	6	4	5	6	1,2	-	0,02
K0293.110	A	without centre bore	-	10	6	6	9	1,6	-	0,02
K0293.116	A	without centre bore	-	16	8	8	12	2	-	0,04
K0293.125	A	without centre bore	-	25	12	10	18	2,5	-	0,04
K0293.206	B	short	-	6	4	7	6	1,2	4	0,02
K0293.208	B	short	-	8	6	10	9	1,6	6	0,02
K0293.210	B	short	-	10	6	10	9	1,6	6	0,02
K0293.212	B	short	-	12	6	10	9	1,6	6	0,02
K0293.216	B	short	-	16	8	13	12	2	8	0,04
K0293.220	B	short	-	20	12	15	18	2	9	0,04
K0293.225	B	short	-	25	12	15	18	2,5	9	0,04
K0293.306	B	long	-	6	4	12	6	1,2	4	0,02
K0293.308	B	long	-	8	6	16	9	1,6	6	0,02
K0293.310	B	long	-	10	6	18	9	1,6	6	0,02
K0293.312	B	long	-	12	6	18	9	1,6	6	0,02
K0293.316	B	long	-	16	8	22	12	2	8	0,04
K0293.320	B	long	-	20	12	25	18	2	9	0,04
K0293.325	B	long	-	25	12	25	18	2,5	9	0,04
K0293.406	C	short	1	6	4	7	6	1,2	4	0,02
K0293.408	C	short	1,6	8	6	10	9	1,6	6	0,02
K0293.410	C	short	2,5	10	6	10	9	1,6	6	0,02
K0293.412	C	short	2,5	12	6	10	9	1,6	6	0,02
K0293.416	C	short	3,5	16	8	13	12	2	8	0,04
K0293.420	C	short	5	20	12	15	18	2	9	0,04
K0293.425	C	short	5	25	12	15	18	2,5	9	0,04
K0293.506	C	long	1	6	4	12	6	1,2	4	0,02

## Locating pins and rest pads DIN 6321

### Overview of items

Order No.	Form	Version 1	B	D1	D2	H	H1	H2	H3	T
K0293.508	C	long	1,6	8	6	16	9	1,6	6	0,02
K0293.510	C	long	2,5	10	6	18	9	1,6	6	0,02
K0293.512	C	long	2,5	12	6	18	9	1,6	6	0,02
K0293.516	C	long	3,5	16	8	22	12	2	8	0,04
K0293.520	C	long	5	20	12	25	18	2	9	0,04
K0293.525	C	long	5	25	12	25	18	2,5	9	0,04