

## Tension levers flat with locating hole

### Item description/product images



### Description

#### Material:

Steel parts grade 5.8.

Ball knob black thermoset PF 31

#### Version:

Black oxidised.

#### Note:

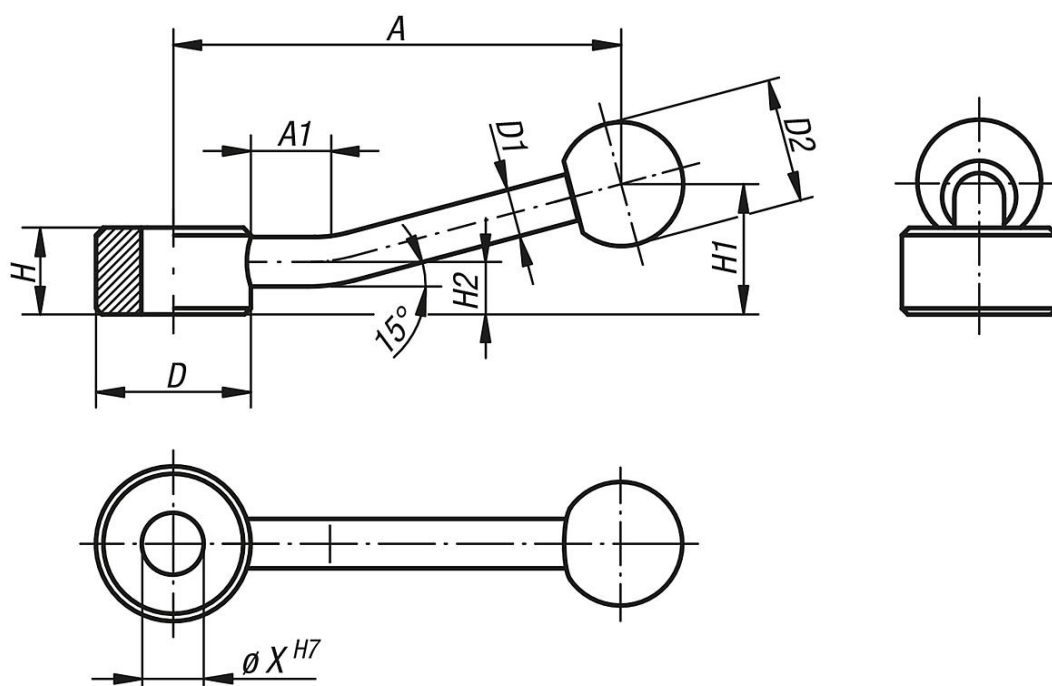
Flat Control Handles can be used for simple clamping applications and switching operations. Generally there must be enough space so that the handle can be turned 360°.

#### On request:

Other female threads, reamed holes and star sockets.

Dimension "A" available in other lengths at extra charge.

### Drawings



### Overview of items

Order No.	Kind of fastening	X	A=Handle length	A1	D	D1	D2	H	H1	H2
K0177.106	reamed hole	6	75	15	25	8	20	14	22	8,5
K0177.108	reamed hole	8	75	15	25	8	20	14	22	8,5
K0177.110	reamed hole	10	75	15	25	8	20	14	22	8,5
K0177.112	reamed hole	12	100	15	33	10	25	17	27	10
K0177.116	reamed hole	16	100	15	33	10	25	17	27	10
K0177.120	reamed hole	20	128	15	41	12	30	20	36	11,5
K0177.124	reamed hole	24	128	15	41	12	30	20	36	11,5

## Tension levers flat with locating hole

Overview of items

---