

Tension levers with internal thread

Item description/product images



Description

Material:

Steel parts grade 5.8.

Ball knob black thermoset PF 31

Version:

Black oxidised.

Note:

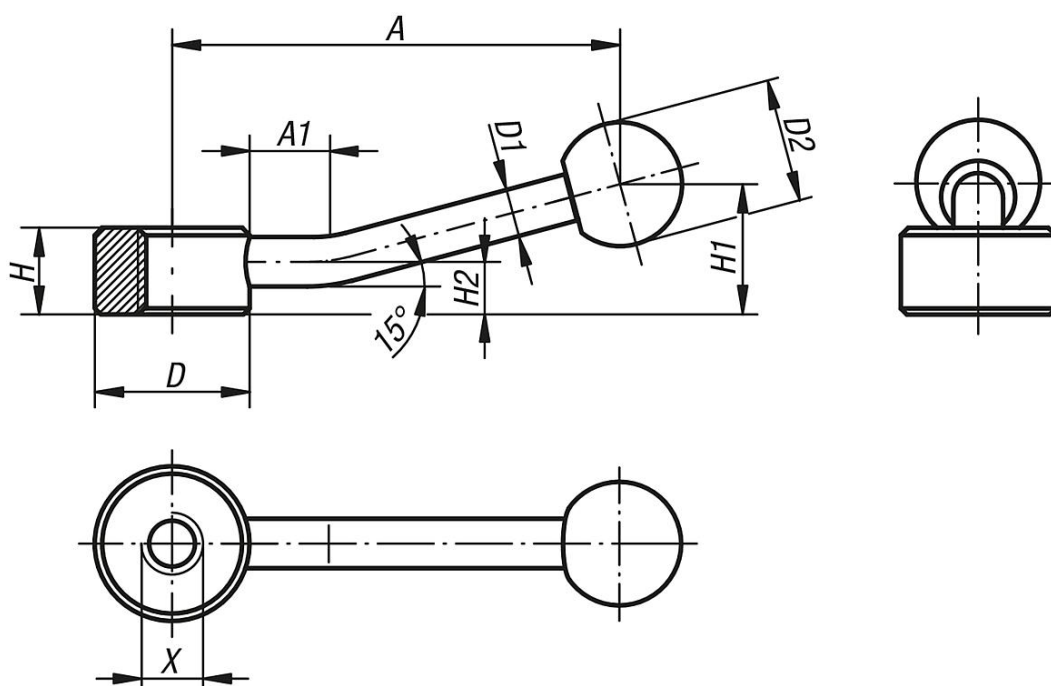
Flat Control Handles can be used for simple clamping applications and switching operations. Generally there must be enough space so that the handle can be turned 360°.

On request:

Other female threads, reamed holes and star sockets.

Dimension "A" available in other lengths at extra charge.

Drawings



Overview of items

Order No.	Kind of fastening	X	A=Handle length	A1	D	D1	D2	H	H1	H2
K0177.206	internal thread	M6	75	15	25	8	20	14	22	8,5
K0177.208	internal thread	M8	75	15	25	8	20	14	22	8,5
K0177.210	internal thread	M10	75	15	25	8	20	14	22	8,5
K0177.212	internal thread	M12	100	15	33	10	25	17	27	10
K0177.216	internal thread	M16	100	15	33	10	25	17	27	10
K0177.220	internal thread	M20	128	15	41	12	30	20	36	11,5
K0177.224	internal thread	M24	128	15	41	12	30	20	36	11,5

