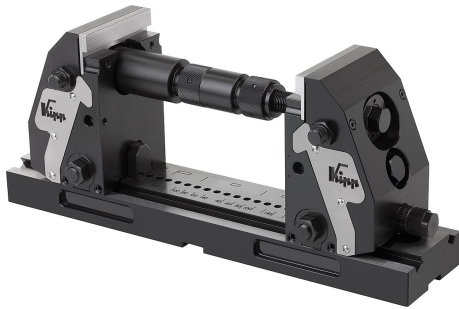
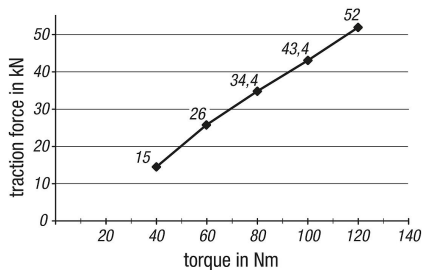


5-axis clamping system compact smooth vice jaws

Item description/product images



Tractive force 5-axis clamping system compact



Description

Material:

Base plate and jaw hardened steel.
Vice jaws tool steel.

Version:

Jaws black oxidised.
Jaw plates bright.

Note:

The easy operability and rapid adjustment using a scale means that the clamping jaws can be quickly and surely adapted to new workpieces. The workpiece is always centred through the systematic construction of the 5-axis compact clamping system. The optimal accessibility to the workpiece allows short, standard tooling to be used. Tooling costs are significantly reduced.

Positive down force by a clamping depth of >5 mm.
Clamping widths of 20 mm to 320 mm are possible.

Assembly:

The 5-axis clamping system compact can be mounted on T-slot tables, grid systems or, using an adapter flange on conventional zero-point clamping systems.

Supplied with:

Baseplate K0994
Clamping jaw K0976
Extension shaft K0990.060
Extension shaft K0990.120
Adapter shaft K0991.060
Adapter shaft K0991.120
Threaded spindle K0940.999.002
Spindle nut K0940.999.003

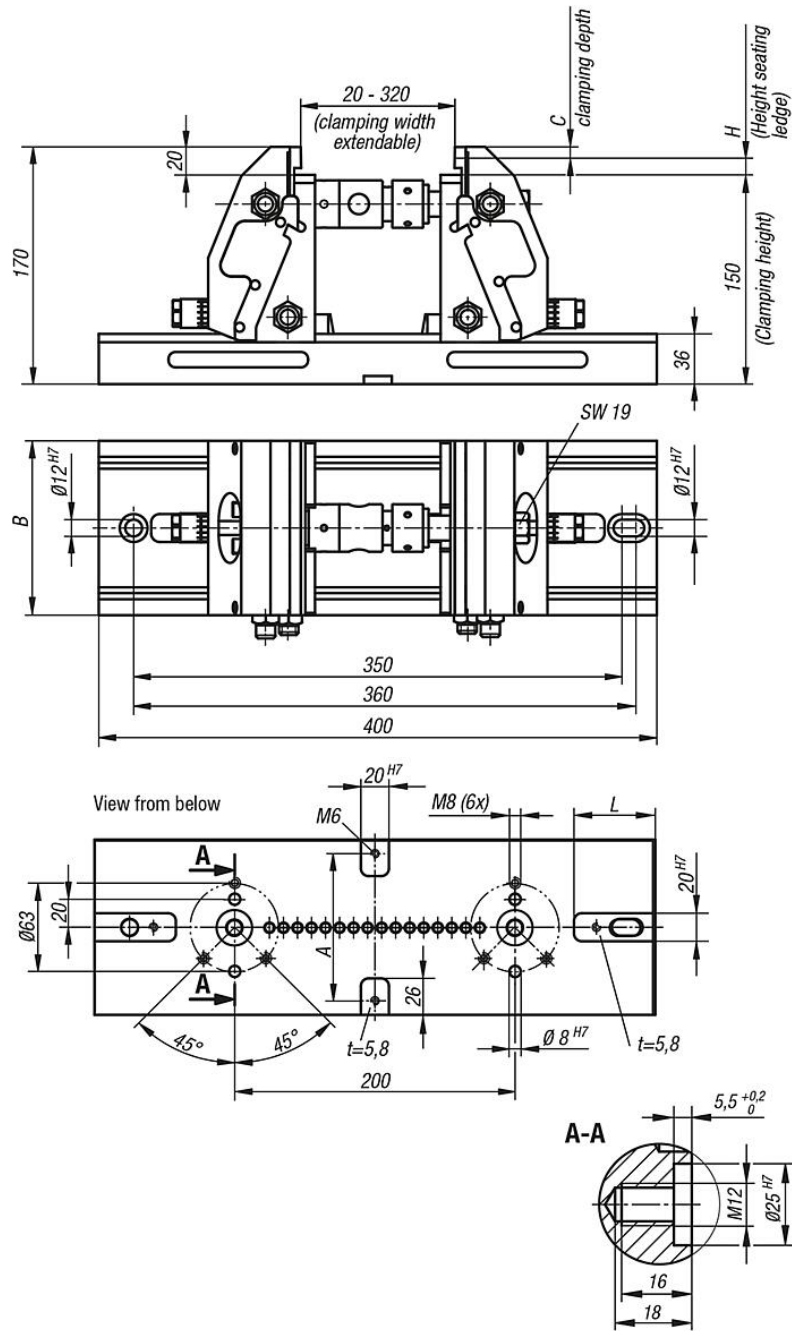
Accessory:

Seating ledges K0974
Jaw plates K0975
Pendulum jaws K0988
Centre jaws K0987
Coupling for cross-clamping K0992

Order the seating ledges and jaw plates with pins separately.

5-axis clamping system compact smooth vice jaws

Drawings



Overview of items

5-axis clamping system compact, smooth vice jaws

Order No.	A	B	C	H	L	Tractive force max. kN	Suitable shoulder screw	weight kg
K0973.124000901500	70	90	8/3	12/17	57,5	see diagram	K0815.12055	21,96
K0973.124001251500	105	125	8/3	12/17	58	see diagram	K0815.12055	30,16

