

Workpiece stops, magnetic

Item description/product images



Description

Material:

Body high-strength aluminium.
Hinge pin and stop bar, steel.

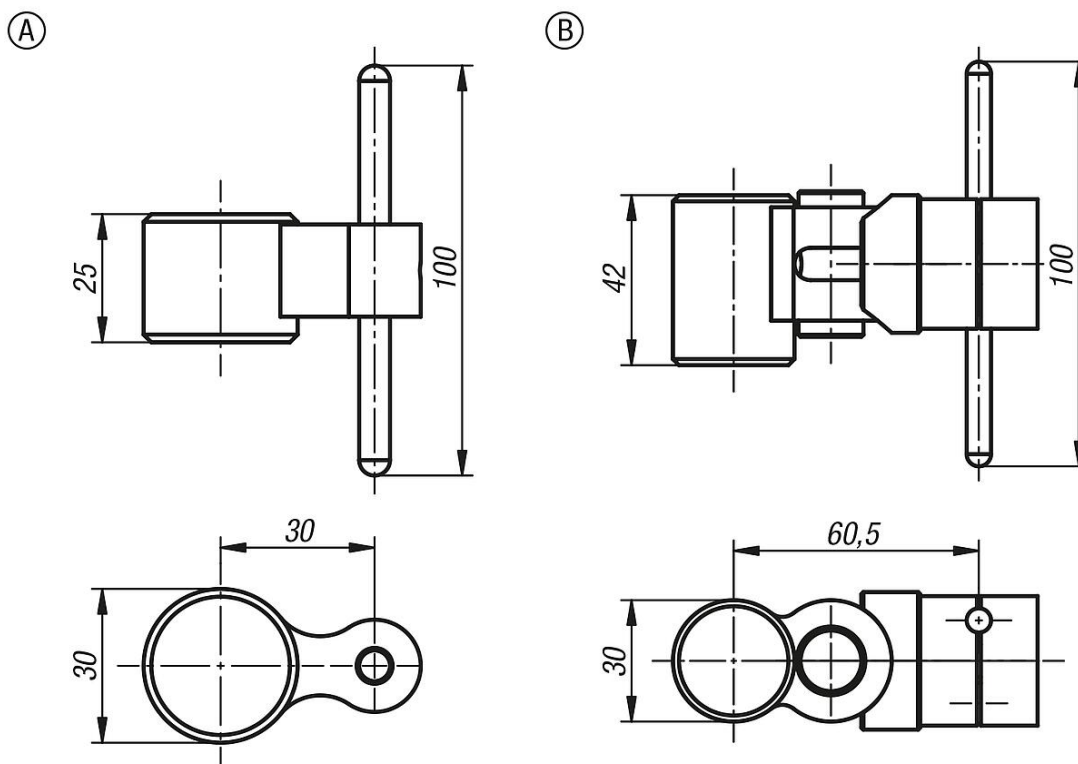
Version:

Body anodised blue and black.
Hinge pin and stop bar black oxidised.

Note:

The workpiece stop with enclosed magnet serves, among other things, as a versatile instrument for positioning on machining centres or for assembly work. It adheres to all magnetic surfaces such as vices, measuring devices, drilling and milling machines. After clamping the workpieces, the workpiece stop can also be easily removed again, thus exposing all surfaces to be machined.

Drawings



Overview of items

Workpiece stops, magnetic

Order No.	Form	Form definition	Magnetic force N
K2043.1	A	standard	200
K2043.2	B	with joint	200

