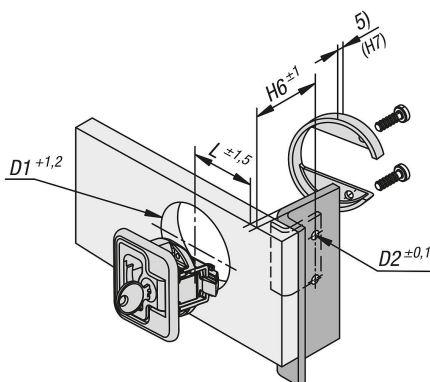
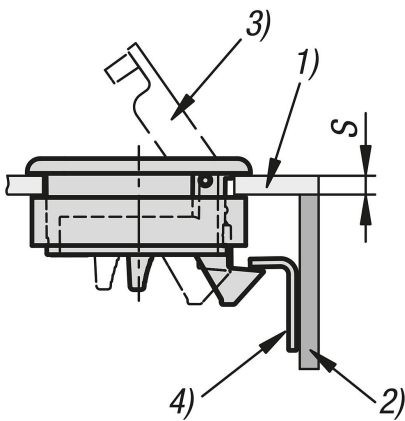


Snap locks stainless steel with grip, fold-down

Item description/product images



Description

Material:

Stainless steel 1.4401.

Version:

Ground and polished or matt abrasive blasted.

Note:

With their countersunk grip, these snap locks are designed for flush installation in doors, hatches and covers.

Available in two different sizes for different door leaf thicknesses. Additional security with lockable variants. The locks have a single key system, all locks can be opened with the same key.

The pre-tensioned grip prevents rattling.

Max. torque to tighten the screws: 2.4 Nm.

Form A: lockable

Form B: not lockable

Type of operation:

When the grip is pulled, the latch retracts and the door can be opened. The door latches automatically when pushed shut. The latch can also be actuated from the rear.

Application:

- Automotive industries
- Machine construction
- Boat and ship building
- Aviation and aerospace
- Motorhomes and caravans
- Medical technology

Assembly:

1. Produce a mounting cutout as shown in the drawing.
2. Attach the catch plate.
3. Secure from the rear using the mounting parts supplied.

Supplied with:

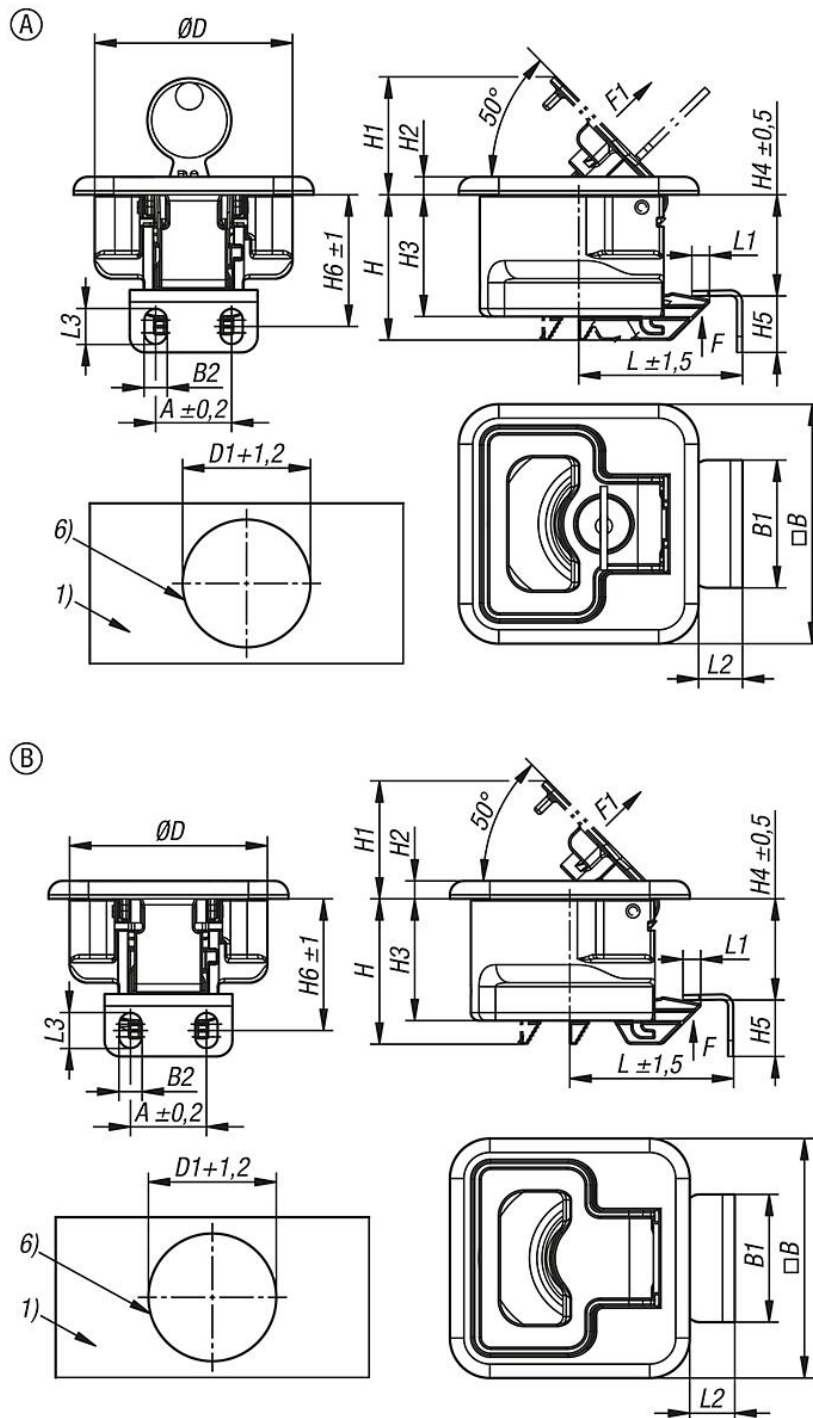
Mounting bracket with M4 screws and catch plate.
The lockable snap locks are each supplied with 2 keys.
M5 screws for the catch plate are not supplied.

Drawing reference:

- 1) Door leaf
- 2) Frame
- 3) Grip
- 4) Catch plate
- 5) Mounting bracket thickness (see Table H7)
- 6) Mounting cutout

Snap locks stainless steel with grip, fold-down

Drawings



Overview of items

Snap locks stainless steel with grip, fold-down

Order No.	Form	Form definition	Surface finish body	A	B	B1	B2	D	D1	D2	H	H1	H2	H3	H4	H5	H6	H7
K1850.1102356044	A	lockable	polished	19	60	32	5,4	49,5	50	4,5	35,9	31,1	4,5	30,5	25,5	14	33	23
K1850.1112356044	A	lockable	polished	19	60	32	5,4	49,5	50	4,5	35,9	31,1	4,5	30,5	25,5	14	33	12,5
K1850.1102356055	A	lockable	matt blasted	19	60	32	5,4	49,5	50	4,5	35,9	31,1	4,5	30,5	25,5	14	33	23
K1850.1112356055	A	lockable	matt blasted	19	60	32	5,4	49,5	50	4,5	35,9	31,1	4,5	30,5	25,5	14	33	12,5
K1850.1002356044	B	not lockable	polished	19	60	32	5,4	49,5	50	4,5	35,9	31,1	4,5	30,5	25,5	14	33	23

Snap locks stainless steel with grip, fold-down

Overview of items

Order No.	Form	Form definition	Surface finish body	A	B	B1	B2	D	D1	D2	H	H1	H2	H3	H4	H5	H6	H7
K1850.1012356044	B	not lockable	polished	19	60	32	5,4	49,5	50	4,5	35,9	31,1	4,5	30,5	25,5	14	33	12,5
K1850.1002356055	B	not lockable	matt blasted	19	60	32	5,4	49,5	50	4,5	35,9	31,1	4,5	30,5	25,5	14	33	23
K1850.1012356055	B	not lockable	matt blasted	19	60	32	5,4	49,5	50	4,5	35,9	31,1	4,5	30,5	25,5	14	33	12,5

Order No.	L	L1	L2	L3	F=retaining force (N)	Traction force F1 N	Temperature range °C	S = Door thickness in mm	Screws
K1850.1102356044	41	5,6	11	8,6	850	100	-	2-12	M4x6
K1850.1112356044	41	5,6	11	8,6	850	100	-	12-22	M4x20
K1850.1102356055	41	5,6	11	8,6	850	100	-	2-12	M4x6
K1850.1112356055	41	5,6	11	8,6	850	100	-	12-22	M4x20
K1850.1002356044	41	5,6	11	8,6	850	100	-	2-12	M4x6
K1850.1012356044	41	5,6	11	8,6	850	100	-	12-22	M4x20
K1850.1002356055	41	5,6	11	8,6	850	100	-	2-12	M4x6
K1850.1012356055	41	5,6	11	8,6	850	100	-	12-22	M4x20