

Star grips, plastic with safety function

Item description/product images



press to
engage
(safety function)



Description

Product description:

Star grips with safety function prevent changes to the clamping point by accidental opening or closing.

In its initial state, the grip can turn freely and has no connection to the clamping point. It is only when the grip is pushed down that the toothing engages and the clamp can be loosened or tightened.

A spring returns the grip to the start position upon release.

Material:

Star grip and insert made from reinforced thermoplastic.

Bush and screw made from steel or stainless steel.

Version:

Steel trivalent blue passivated.

Stainless steel, bright.

Advantages:

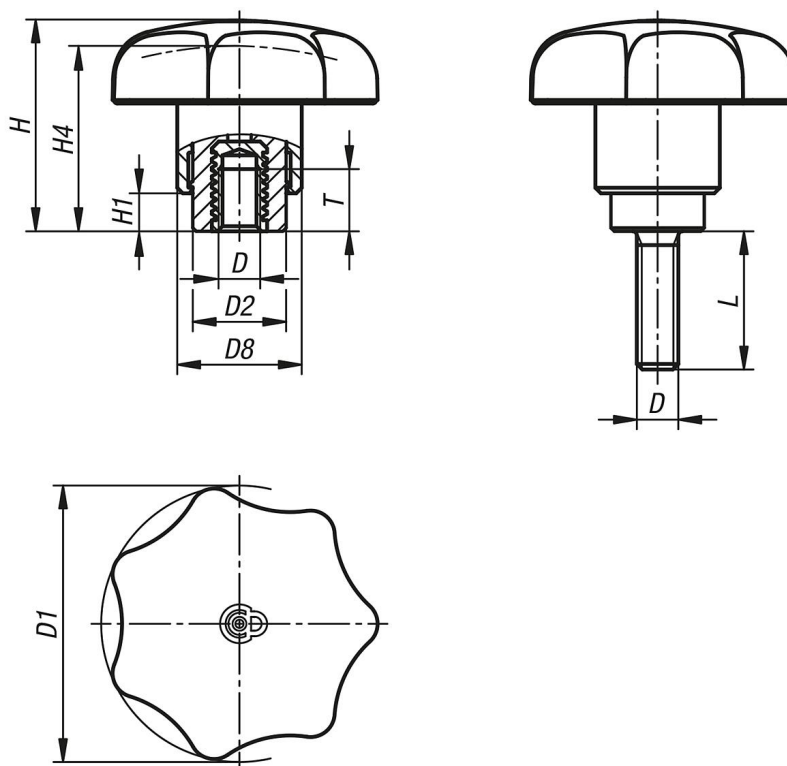
Protection against accidental opening or closing.

On request:

Special versions.

Star grips, plastic with safety function

Drawings



Overview of items

Star grips, plastic with safety function

Order No.	Thread type	Main colour	Component material	Size	D	D1	D2	D8	H	H1	H4	L	T	No. of teeth
K1811.32041	internal thread	jet black RAL 9005	steel	1	M4	32	10	14	25	5	22,1	-	6	12
K1811.32051	internal thread	jet black RAL 9005	steel	1	M5	32	10	14	25	5	22,1	-	6	12
K1811.40051	internal thread	jet black RAL 9005	steel	2	M5	40	13,5	18	30,5	5,5	26,6	-	7,5	12
K1811.40061	internal thread	jet black RAL 9005	steel	2	M6	40	13,5	18	30,5	5,5	26,6	-	9	12
K1811.40081	internal thread	jet black RAL 9005	steel	2	M8	40	13,5	18	30,5	5,5	26,6	-	9	12
K1811.50081	internal thread	jet black RAL 9005	steel	3	M8	50	17	22	41,9	10	37,1	-	12	12
K1811.50101	internal thread	jet black RAL 9005	steel	3	M10	50	17	22	41,9	10	37,1	-	12	12
K1811.320484	internal thread	traffic red RAL 3020	steel	1	M4	32	10	14	25	5	22,1	-	6	12
K1811.320584	internal thread	traffic red RAL 3020	steel	1	M5	32	10	14	25	5	22,1	-	6	12
K1811.400584	internal thread	traffic red RAL 3020	steel	2	M5	40	13,5	18	30,5	5,5	26,6	-	7,5	12
K1811.400684	internal thread	traffic red RAL 3020	steel	2	M6	40	13,5	18	30,5	5,5	26,6	-	9	12
K1811.400884	internal thread	traffic red RAL 3020	steel	2	M8	40	13,5	18	30,5	5,5	26,6	-	9	12
K1811.500884	internal thread	traffic red RAL 3020	steel	3	M8	50	17	22	41,9	10	37,1	-	12	12
K1811.501084	internal thread	traffic red RAL 3020	steel	3	M10	50	17	22	41,9	10	37,1	-	12	12
K1811.132041	internal thread	jet black RAL 9005	stainless steel	1	M4	32	10	14	25	5	22,1	-	6	12
K1811.132051	internal thread	jet black RAL 9005	stainless steel	1	M5	32	10	14	25	5	22,1	-	6	12
K1811.140051	internal thread	jet black RAL 9005	stainless steel	2	M5	40	13,5	18	30,5	5,5	26,6	-	7,5	12
K1811.140061	internal thread	jet black RAL 9005	stainless steel	2	M6	40	13,5	18	30,5	5,5	26,6	-	9	12
K1811.140081	internal thread	jet black RAL 9005	stainless steel	2	M8	40	13,5	18	30,5	5,5	26,6	-	9	12
K1811.150081	internal thread	jet black RAL 9005	stainless steel	3	M8	50	17	22	41,9	10	37,1	-	12	12
K1811.150101	internal thread	jet black RAL 9005	stainless steel	3	M10	50	17	22	41,9	10	37,1	-	12	12
K1811.1320484	internal thread	traffic red RAL 3020	stainless steel	1	M4	32	10	14	25	5	22,1	-	6	12
K1811.1320584	internal thread	traffic red RAL 3020	stainless steel	1	M5	32	10	14	25	5	22,1	-	6	12
K1811.1400584	internal thread	traffic red RAL 3020	stainless steel	2	M5	40	13,5	18	30,5	5,5	26,6	-	7,5	12
K1811.1400684	internal thread	traffic red RAL 3020	stainless steel	2	M6	40	13,5	18	30,5	5,5	26,6	-	9	12
K1811.1400884	internal thread	traffic red RAL 3020	stainless steel	2	M8	40	13,5	18	30,5	5,5	26,6	-	9	12
K1811.1500884	internal thread	traffic red RAL 3020	stainless steel	3	M8	50	17	22	41,9	10	37,1	-	12	12
K1811.1501084	internal thread	traffic red RAL 3020	stainless steel	3	M10	50	17	22	41,9	10	37,1	-	12	12

Star grips, plastic with safety function

Overview of items

Order No.	Thread type	Main colour	Component material	Size	D	D1	D2	D8	H	H1	H4	L	T	No. of teeth
K1811.32041X10	external thread	jet black RAL 9005	steel	1	M4	32	10	14	25	5	22,1	10	-	12
K1811.32041X15	external thread	jet black RAL 9005	steel	1	M4	32	10	14	25	5	22,1	15	-	12
K1811.32041X20	external thread	jet black RAL 9005	steel	1	M4	32	10	14	25	5	22,1	20	-	12
K1811.32041X30	external thread	jet black RAL 9005	steel	1	M4	32	10	14	25	5	22,1	30	-	12
K1811.32041X40	external thread	jet black RAL 9005	steel	1	M4	32	10	14	25	5	22,1	40	-	12
K1811.32051X10	external thread	jet black RAL 9005	steel	1	M5	32	10	14	25	5	22,1	10	-	12
K1811.32051X15	external thread	jet black RAL 9005	steel	1	M5	32	10	14	25	5	22,1	15	-	12
K1811.32051X20	external thread	jet black RAL 9005	steel	1	M5	32	10	14	25	5	22,1	20	-	12
K1811.32051X25	external thread	jet black RAL 9005	steel	1	M5	32	10	14	25	5	22,1	25	-	12
K1811.32051X30	external thread	jet black RAL 9005	steel	1	M5	32	10	14	25	5	22,1	30	-	12
K1811.32051X40	external thread	jet black RAL 9005	steel	1	M5	32	10	14	25	5	22,1	40	-	12
K1811.40051X10	external thread	jet black RAL 9005	steel	2	M5	40	13,5	18	30,5	5,5	26,6	10	-	12
K1811.40051X15	external thread	jet black RAL 9005	steel	2	M5	40	13,5	18	30,5	5,5	26,6	15	-	12
K1811.40051X20	external thread	jet black RAL 9005	steel	2	M5	40	13,5	18	30,5	5,5	26,6	20	-	12
K1811.40051X25	external thread	jet black RAL 9005	steel	2	M5	40	13,5	18	30,5	5,5	26,6	25	-	12
K1811.40051X30	external thread	jet black RAL 9005	steel	2	M5	40	13,5	18	30,5	5,5	26,6	30	-	12
K1811.40051X40	external thread	jet black RAL 9005	steel	2	M5	40	13,5	18	30,5	5,5	26,6	40	-	12
K1811.40061X10	external thread	jet black RAL 9005	steel	2	M6	40	13,5	18	30,5	5,5	26,6	10	-	12
K1811.40061X15	external thread	jet black RAL 9005	steel	2	M6	40	13,5	18	30,5	5,5	26,6	15	-	12
K1811.40061X20	external thread	jet black RAL 9005	steel	2	M6	40	13,5	18	30,5	5,5	26,6	20	-	12
K1811.40061X25	external thread	jet black RAL 9005	steel	2	M6	40	13,5	18	30,5	5,5	26,6	25	-	12
K1811.40061X30	external thread	jet black RAL 9005	steel	2	M6	40	13,5	18	30,5	5,5	26,6	30	-	12
K1811.40061X40	external thread	jet black RAL 9005	steel	2	M6	40	13,5	18	30,5	5,5	26,6	40	-	12
K1811.40081X15	external thread	jet black RAL 9005	steel	2	M8	40	13,5	18	30,5	5,5	26,6	15	-	12
K1811.40081X20	external thread	jet black RAL 9005	steel	2	M8	40	13,5	18	30,5	5,5	26,6	20	-	12
K1811.40081X25	external thread	jet black RAL 9005	steel	2	M8	40	13,5	18	30,5	5,5	26,6	25	-	12
K1811.40081X30	external thread	jet black RAL 9005	steel	2	M8	40	13,5	18	30,5	5,5	26,6	30	-	12
K1811.40081X40	external thread	jet black RAL 9005	steel	2	M8	40	13,5	18	30,5	5,5	26,6	40	-	12
K1811.50081X15	external thread	jet black RAL 9005	steel	3	M8	50	17	22	41,9	10	37,1	15	-	12
K1811.50081X20	external thread	jet black RAL 9005	steel	3	M8	50	17	22	41,9	10	37,1	20	-	12
K1811.50081X25	external thread	jet black RAL 9005	steel	3	M8	50	17	22	41,9	10	37,1	25	-	12
K1811.50081X30	external thread	jet black RAL 9005	steel	3	M8	50	17	22	41,9	10	37,1	30	-	12
K1811.50081X40	external thread	jet black RAL 9005	steel	3	M8	50	17	22	41,9	10	37,1	40	-	12
K1811.50101X15	external thread	jet black RAL 9005	steel	3	M10	50	17	22	41,9	10	37,1	15	-	12
K1811.50101X20	external thread	jet black RAL 9005	steel	3	M10	50	17	22	41,9	10	37,1	20	-	12
K1811.50101X25	external thread	jet black RAL 9005	steel	3	M10	50	17	22	41,9	10	37,1	25	-	12
K1811.50101X30	external thread	jet black RAL 9005	steel	3	M10	50	17	22	41,9	10	37,1	30	-	12
K1811.50101X40	external thread	jet black RAL 9005	steel	3	M10	50	17	22	41,9	10	37,1	40	-	12
K1811.320484X10	external thread	traffic red RAL 3020	steel	1	M4	32	10	14	25	5	22,1	10	-	12
K1811.320484X15	external thread	traffic red RAL 3020	steel	1	M4	32	10	14	25	5	22,1	15	-	12
K1811.320484X20	external thread	traffic red RAL 3020	steel	1	M4	32	10	14	25	5	22,1	20	-	12
K1811.320484X30	external thread	traffic red RAL 3020	steel	1	M4	32	10	14	25	5	22,1	30	-	12
K1811.320484X40	external thread	traffic red RAL 3020	steel	1	M4	32	10	14	25	5	22,1	40	-	12
K1811.320584X10	external thread	traffic red RAL 3020	steel	1	M5	32	10	14	25	5	22,1	10	-	12
K1811.320584X15	external thread	traffic red RAL 3020	steel	1	M5	32	10	14	25	5	22,1	15	-	12
K1811.320584X20	external thread	traffic red RAL 3020	steel	1	M5	32	10	14	25	5	22,1	20	-	12
K1811.320584X25	external thread	traffic red RAL 3020	steel	1	M5	32	10	14	25	5	22,1	25	-	12
K1811.320584X30	external thread	traffic red RAL 3020	steel	1	M5	32	10	14	25	5	22,1	30	-	12
K1811.320584X40	external thread	traffic red RAL 3020	steel	1	M5	32	10	14	25	5	22,1	40	-	12
K1811.400584X10	external thread	traffic red RAL 3020	steel	2	M5	40	13,5	18	30,5	5,5	26,6	10	-	12
K1811.400584X15	external thread	traffic red RAL 3020	steel	2	M5	40	13,5	18	30,5	5,5	26,6	15	-	12
K1811.400584X20	external thread	traffic red RAL 3020	steel	2	M5	40	13,5	18	30,5	5,5	26,6	20	-	12
K1811.400584X25	external thread	traffic red RAL 3020	steel	2	M5	40	13,5	18	30,5	5,5	26,6	25	-	12
K1811.400584X30	external thread	traffic red RAL 3020	steel	2	M5	40	13,5	18	30,5	5,5	26,6	30	-	12
K1811.400584X40	external thread	traffic red RAL 3020	steel	2	M5	40	13,5	18	30,5	5,5	26,6	40	-	12
K1811.400684X10	external thread	traffic red RAL 3020	steel	2	M6	40	13,5	18	30,5	5,5	26,6	10	-	12
K1811.400684X15	external thread	traffic red RAL 3020	steel	2	M6	40	13,5	18	30,5	5,5	26,6	15	-	12
K1811.400684X20	external thread	traffic red RAL 3020	steel	2	M6	40	13,5	18	30,5	5,5	26,6	20	-	12
K1811.400684X25	external thread	traffic red RAL 3020	steel	2	M6	40	13,5	18	30,5	5,5	26,6	25	-	12
K1811.400684X30	external thread	traffic red RAL 3020	steel	2	M6	40	13,5	18	30,5	5,5	26,6	30	-	12
K1811.400684X40	external thread	traffic red RAL 3020	steel	2	M6	40	13,5	18	30,5	5,5	26,6	40	-	12
K1811.400884X15	external thread	traffic red RAL 3020	steel	2	M8	40	13,5	18	30,5	5,5	26,6	15	-	12

Star grips, plastic with safety function

Overview of items

Order No.	Thread type	Main colour	Component material	Size	D	D1	D2	D8	H	H1	H4	L	T	No. of teeth
K1811.400884X20	external thread	traffic red RAL 3020	steel	2	M8	40	13,5	18	30,5	5,5	26,6	20	-	12
K1811.400884X25	external thread	traffic red RAL 3020	steel	2	M8	40	13,5	18	30,5	5,5	26,6	25	-	12
K1811.400884X30	external thread	traffic red RAL 3020	steel	2	M8	40	13,5	18	30,5	5,5	26,6	30	-	12
K1811.400884X40	external thread	traffic red RAL 3020	steel	2	M8	40	13,5	18	30,5	5,5	26,6	40	-	12
K1811.500884X15	external thread	traffic red RAL 3020	steel	3	M8	50	17	22	41,9	10	37,1	15	-	12
K1811.500884X20	external thread	traffic red RAL 3020	steel	3	M8	50	17	22	41,9	10	37,1	20	-	12
K1811.500884X25	external thread	traffic red RAL 3020	steel	3	M8	50	17	22	41,9	10	37,1	25	-	12
K1811.500884X30	external thread	traffic red RAL 3020	steel	3	M8	50	17	22	41,9	10	37,1	30	-	12
K1811.500884X40	external thread	traffic red RAL 3020	steel	3	M8	50	17	22	41,9	10	37,1	40	-	12
K1811.501084X15	external thread	traffic red RAL 3020	steel	3	M10	50	17	22	41,9	10	37,1	15	-	12
K1811.501084X20	external thread	traffic red RAL 3020	steel	3	M10	50	17	22	41,9	10	37,1	20	-	12
K1811.501084X25	external thread	traffic red RAL 3020	steel	3	M10	50	17	22	41,9	10	37,1	25	-	12
K1811.501084X30	external thread	traffic red RAL 3020	steel	3	M10	50	17	22	41,9	10	37,1	30	-	12
K1811.501084X40	external thread	traffic red RAL 3020	steel	3	M10	50	17	22	41,9	10	37,1	40	-	12
K1811.132041X10	external thread	jet black RAL 9005	stainless steel	1	M4	32	10	14	25	5	22,1	10	-	12
K1811.132041X15	external thread	jet black RAL 9005	stainless steel	1	M4	32	10	14	25	5	22,1	15	-	12
K1811.132041X20	external thread	jet black RAL 9005	stainless steel	1	M4	32	10	14	25	5	22,1	20	-	12
K1811.132041X30	external thread	jet black RAL 9005	stainless steel	1	M4	32	10	14	25	5	22,1	30	-	12
K1811.132041X40	external thread	jet black RAL 9005	stainless steel	1	M4	32	10	14	25	5	22,1	40	-	12
K1811.132051X10	external thread	jet black RAL 9005	stainless steel	1	M5	32	10	14	25	5	22,1	10	-	12
K1811.132051X15	external thread	jet black RAL 9005	stainless steel	1	M5	32	10	14	25	5	22,1	15	-	12
K1811.132051X20	external thread	jet black RAL 9005	stainless steel	1	M5	32	10	14	25	5	22,1	20	-	12
K1811.132051X25	external thread	jet black RAL 9005	stainless steel	1	M5	32	10	14	25	5	22,1	25	-	12
K1811.132051X30	external thread	jet black RAL 9005	stainless steel	1	M5	32	10	14	25	5	22,1	30	-	12
K1811.132051X40	external thread	jet black RAL 9005	stainless steel	1	M5	32	10	14	25	5	22,1	40	-	12
K1811.140051X10	external thread	jet black RAL 9005	stainless steel	2	M5	40	13,5	18	30,5	5,5	26,6	10	-	12
K1811.140051X15	external thread	jet black RAL 9005	stainless steel	2	M5	40	13,5	18	30,5	5,5	26,6	15	-	12
K1811.140051X20	external thread	jet black RAL 9005	stainless steel	2	M5	40	13,5	18	30,5	5,5	26,6	20	-	12
K1811.140051X25	external thread	jet black RAL 9005	stainless steel	2	M5	40	13,5	18	30,5	5,5	26,6	25	-	12
K1811.140051X30	external thread	jet black RAL 9005	stainless steel	2	M5	40	13,5	18	30,5	5,5	26,6	30	-	12
K1811.140051X40	external thread	jet black RAL 9005	stainless steel	2	M5	40	13,5	18	30,5	5,5	26,6	40	-	12
K1811.140061X10	external thread	jet black RAL 9005	stainless steel	2	M6	40	13,5	18	30,5	5,5	26,6	10	-	12
K1811.140061X15	external thread	jet black RAL 9005	stainless steel	2	M6	40	13,5	18	30,5	5,5	26,6	15	-	12
K1811.140061X20	external thread	jet black RAL 9005	stainless steel	2	M6	40	13,5	18	30,5	5,5	26,6	20	-	12
K1811.140061X25	external thread	jet black RAL 9005	stainless steel	2	M6	40	13,5	18	30,5	5,5	26,6	25	-	12
K1811.140061X30	external thread	jet black RAL 9005	stainless steel	2	M6	40	13,5	18	30,5	5,5	26,6	30	-	12
K1811.140061X40	external thread	jet black RAL 9005	stainless steel	2	M6	40	13,5	18	30,5	5,5	26,6	40	-	12
K1811.140081X15	external thread	jet black RAL 9005	stainless steel	2	M8	40	13,5	18	30,5	5,5	26,6	15	-	12
K1811.140081X20	external thread	jet black RAL 9005	stainless steel	2	M8	40	13,5	18	30,5	5,5	26,6	20	-	12
K1811.140081X25	external thread	jet black RAL 9005	stainless steel	2	M8	40	13,5	18	30,5	5,5	26,6	25	-	12
K1811.140081X30	external thread	jet black RAL 9005	stainless steel	2	M8	40	13,5	18	30,5	5,5	26,6	30	-	12
K1811.140081X40	external thread	jet black RAL 9005	stainless steel	2	M8	40	13,5	18	30,5	5,5	26,6	40	-	12
K1811.150081X15	external thread	jet black RAL 9005	stainless steel	3	M8	50	17	22	41,9	10	37,1	15	-	12
K1811.150081X20	external thread	jet black RAL 9005	stainless steel	3	M8	50	17	22	41,9	10	37,1	20	-	12
K1811.150081X25	external thread	jet black RAL 9005	stainless steel	3	M8	50	17	22	41,9	10	37,1	25	-	12
K1811.150081X30	external thread	jet black RAL 9005	stainless steel	3	M8	50	17	22	41,9	10	37,1	30	-	12
K1811.150081X40	external thread	jet black RAL 9005	stainless steel	3	M8	50	17	22	41,9	10	37,1	40	-	12
K1811.150101X20	external thread	jet black RAL 9005	stainless steel	3	M10	50	17	22	41,9	10	37,1	20	-	12
K1811.150101X25	external thread	jet black RAL 9005	stainless steel	3	M10	50	17	22	41,9	10	37,1	25	-	12
K1811.150101X30	external thread	jet black RAL 9005	stainless steel	3	M10	50	17	22	41,9	10	37,1	30	-	12
K1811.150101X40	external thread	jet black RAL 9005	stainless steel	3	M10	50	17	22	41,9	10	37,1	40	-	12
K1811.1320484X10	external thread	traffic red RAL 3020	stainless steel	1	M4	32	10	14	25	5	22,1	10	-	12
K1811.1320484X15	external thread	traffic red RAL 3020	stainless steel	1	M4	32	10	14	25	5	22,1	15	-	12
K1811.1320484X20	external thread	traffic red RAL 3020	stainless steel	1	M4	32	10	14	25	5	22,1	20	-	12
K1811.1320484X30	external thread	traffic red RAL 3020	stainless steel	1	M4	32	10	14	25	5	22,1	30	-	12
K1811.1320484X40	external thread	traffic red RAL 3020	stainless steel	1	M4	32	10	14	25	5	22,1	40	-	12
K1811.1320584X10	external thread	traffic red RAL 3020	stainless steel	1	M5	32	10	14	25	5	22,1	10	-	12
K1811.1320584X15	external thread	traffic red RAL 3020	stainless steel	1	M5	32	10	14	25	5	22,1	15	-	12
K1811.1320584X20	external thread	traffic red RAL 3020	stainless steel	1	M5	32	10	14	25	5	22,1	20	-	12
K1811.1320584X25	external thread	traffic red RAL 3020	stainless steel	1	M5	32	10	14	25	5	22,1	25	-	12
K1811.1320584X30	external thread	traffic red RAL 3020	stainless steel	1	M5	32	10	14	25	5	22,1	30	-	12
K1811.1320584X40	external thread	traffic red RAL 3020	stainless steel	1	M5	32	10	14	25	5	22,1	40	-	12

Star grips, plastic with safety function

Overview of items

Order No.	Thread type	Main colour	Component material	Size	D	D1	D2	D8	H	H1	H4	L	T	No. of teeth
K1811.1400584X10	external thread	traffic red RAL 3020	stainless steel	2	M5	40	13,5	18	30,5	5,5	26,6	10	-	12
K1811.1400584X15	external thread	traffic red RAL 3020	stainless steel	2	M5	40	13,5	18	30,5	5,5	26,6	15	-	12
K1811.1400584X20	external thread	traffic red RAL 3020	stainless steel	2	M5	40	13,5	18	30,5	5,5	26,6	20	-	12
K1811.1400584X25	external thread	traffic red RAL 3020	stainless steel	2	M5	40	13,5	18	30,5	5,5	26,6	25	-	12
K1811.1400584X30	external thread	traffic red RAL 3020	stainless steel	2	M5	40	13,5	18	30,5	5,5	26,6	30	-	12
K1811.1400584X40	external thread	traffic red RAL 3020	stainless steel	2	M5	40	13,5	18	30,5	5,5	26,6	40	-	12
K1811.1400684X10	external thread	traffic red RAL 3020	stainless steel	2	M6	40	13,5	18	30,5	5,5	26,6	10	-	12
K1811.1400684X15	external thread	traffic red RAL 3020	stainless steel	2	M6	40	13,5	18	30,5	5,5	26,6	15	-	12
K1811.1400684X20	external thread	traffic red RAL 3020	stainless steel	2	M6	40	13,5	18	30,5	5,5	26,6	20	-	12
K1811.1400684X25	external thread	traffic red RAL 3020	stainless steel	2	M6	40	13,5	18	30,5	5,5	26,6	25	-	12
K1811.1400684X30	external thread	traffic red RAL 3020	stainless steel	2	M6	40	13,5	18	30,5	5,5	26,6	30	-	12
K1811.1400684X40	external thread	traffic red RAL 3020	stainless steel	2	M6	40	13,5	18	30,5	5,5	26,6	40	-	12
K1811.1400884X15	external thread	traffic red RAL 3020	stainless steel	2	M8	40	13,5	18	30,5	5,5	26,6	15	-	12
K1811.1400884X20	external thread	traffic red RAL 3020	stainless steel	2	M8	40	13,5	18	30,5	5,5	26,6	20	-	12
K1811.1400884X25	external thread	traffic red RAL 3020	stainless steel	2	M8	40	13,5	18	30,5	5,5	26,6	25	-	12
K1811.1400884X30	external thread	traffic red RAL 3020	stainless steel	2	M8	40	13,5	18	30,5	5,5	26,6	30	-	12
K1811.1400884X40	external thread	traffic red RAL 3020	stainless steel	2	M8	40	13,5	18	30,5	5,5	26,6	40	-	12
K1811.1500884X15	external thread	traffic red RAL 3020	stainless steel	3	M8	50	17	22	41,9	10	37,1	15	-	12
K1811.1500884X20	external thread	traffic red RAL 3020	stainless steel	3	M8	50	17	22	41,9	10	37,1	20	-	12
K1811.1500884X25	external thread	traffic red RAL 3020	stainless steel	3	M8	50	17	22	41,9	10	37,1	25	-	12
K1811.1500884X30	external thread	traffic red RAL 3020	stainless steel	3	M8	50	17	22	41,9	10	37,1	30	-	12
K1811.1500884X40	external thread	traffic red RAL 3020	stainless steel	3	M8	50	17	22	41,9	10	37,1	40	-	12
K1811.1501084X20	external thread	traffic red RAL 3020	stainless steel	3	M10	50	17	22	41,9	10	37,1	20	-	12
K1811.1501084X25	external thread	traffic red RAL 3020	stainless steel	3	M10	50	17	22	41,9	10	37,1	25	-	12
K1811.1501084X30	external thread	traffic red RAL 3020	stainless steel	3	M10	50	17	22	41,9	10	37,1	30	-	12
K1811.1501084X40	external thread	traffic red RAL 3020	stainless steel	3	M10	50	17	22	41,9	10	37,1	40	-	12