

Swing clamps pneumatic, Form C

Item description/product images



Description

Material:

Body aluminium.

Double-acting piston rod stainless steel.

Version:

Body black anodised.

Note:

Swing clamps are used where low clamping forces suffice or where the clamping point must be free when mounting and removing the workpiece. The block form of the housing offers universal fastening possibilities. The magnetic piston is primed for electrical end position feedback.

Including screw and lock washer for fastening the clamping arms (accessories).

The swing action of the clamp should not be blocked.

F1 = at 6 bar (max. operating pressure).

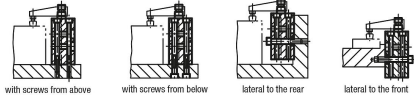
On request:

Proximity switch.

Accessory:

- Clamping arm K1816
- Adapter K1817

Examples:



with screws from above

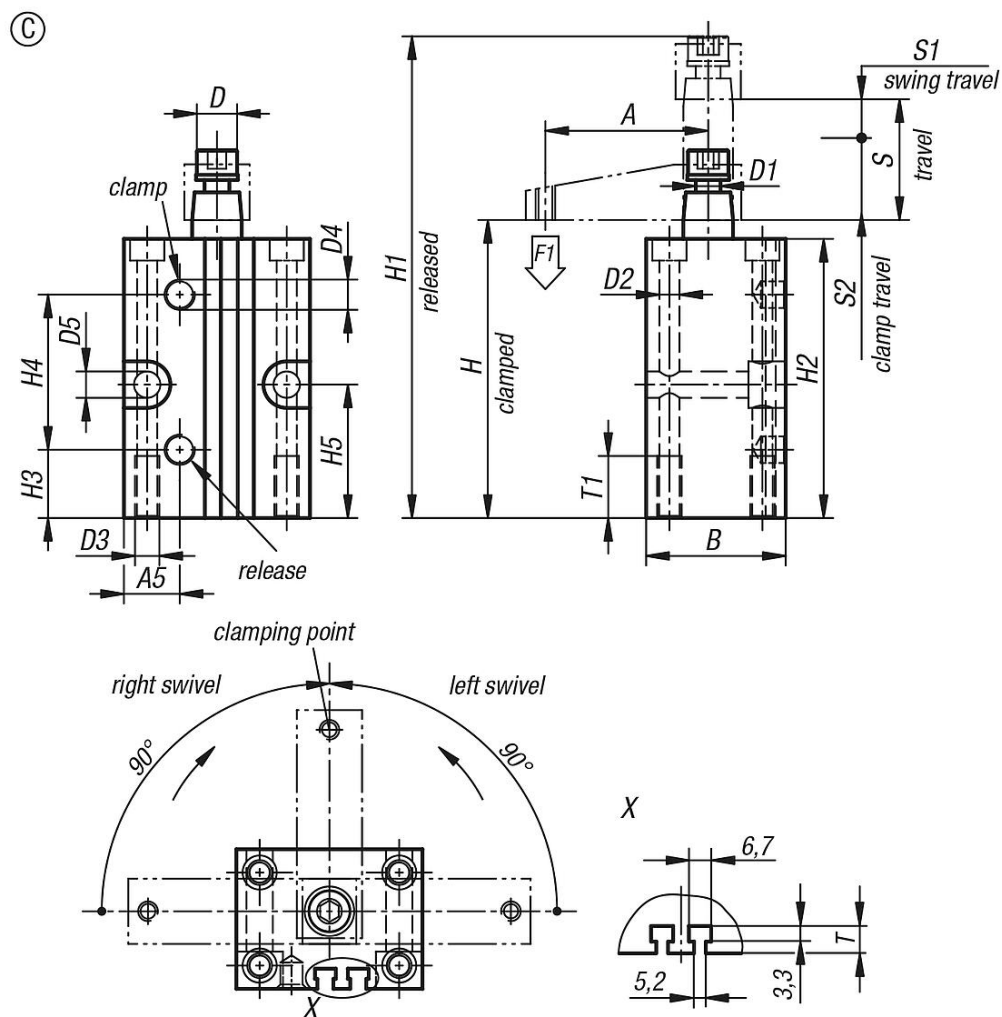
with screws from below

lateral to the rear

lateral to the front

Swing clamps pneumatic, Form C

Drawings



Overview of items

Order No.	Version 2	Form	Size	A	A1	A2	A3	A4	A5	B	D	D1	D2	D3	D4	D5
K1815.1251	swivel to the right	C	25	50	7,5	15	40	20	17	35	14	M8	6,5	M8	M5	8,5
K1815.1321	swivel to the right	C	32	60	12,5	20	45	30	18	45	16	M8	6,5	M8	G1/8	8,5
K1815.1401	swivel to the right	C	40	70	15,5	24,5	52	37	22	55	16	M8	8,5	M10	G1/8	8,5
K1815.1501	swivel to the right	C	50	80	21,5	31	66	46	25	65	20	M10	8,5	M10	G1/8	10,5
K1815.1631	swivel to the right	C	63	90	27,5	37,5	80	60	30	80	20	M10	10,5	M12	G1/8	10,5
K1815.2251	swivel to the left	C	25	50	7,5	15	40	20	17	35	14	M8	6,5	M8	M5	8,5
K1815.2321	swivel to the left	C	32	60	12,5	20	45	30	18	45	16	M8	6,5	M8	G1/8	8,5
K1815.2401	swivel to the left	C	40	70	15,5	24,5	52	37	22	55	16	M8	8,5	M10	G1/8	8,5
K1815.2501	swivel to the left	C	50	80	21,5	31	66	46	25	65	15	M10	8,5	M10	G1/8	10,5
K1815.2631	swivel to the left	C	63	90	27,5	37,5	80	60	30	80	15	M10	10,5	M12	G1/8	10,5

Order No.	H	H1	H2	H3	H4	H5	Travel S	L	S1	S2	T	T1	F1 N
K1815.1251	83	125	78	17	44,5	32	27	55	15	12	5	20	170
K1815.1321	96	145	90	22	50	43	30	60	16	14	6,5	20	270
K1815.1401	96	145	90	20	52	40	31	70	16	15	8	25	450
K1815.1501	106	162	100	25	53,5	45	30	85	15	15	6,5	30	700
K1815.1631	106	162	100	28	53,5	36	30	100	15	15	8,5	30	1100
K1815.2251	83	125	78	17	44,5	32	27	55	15	12	5	20	170
K1815.2321	96	145	90	22	50	43	30	60	16	14	6,5	20	270
K1815.2401	96	145	90	20	52	40	31	70	16	15	8	25	450

Swing clamps pneumatic, Form C

Overview of items

Order No.	H	H1	H2	H3	H4	H5	Travel S	L	S1	S2	T	T1	F1 N
K1815.2501	106	162	100	25	53,5	45	30	85	15	15	6,5	30	700
K1815.2631	106	162	100	28	53,5	36	30	100	15	15	8,5	30	1100