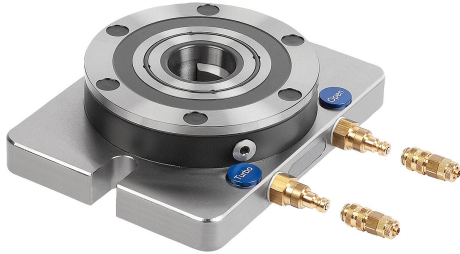


UNILOCK clamping station, 1x

Item description/product images



Description

Material:

Clamping module high-carbon steel.

Baseplate steel 1.1730.

Version:

Clamping module contact faces hardened and ground.

Baseplate ground on both sides.

On request:

Clamping station in special dimensions.

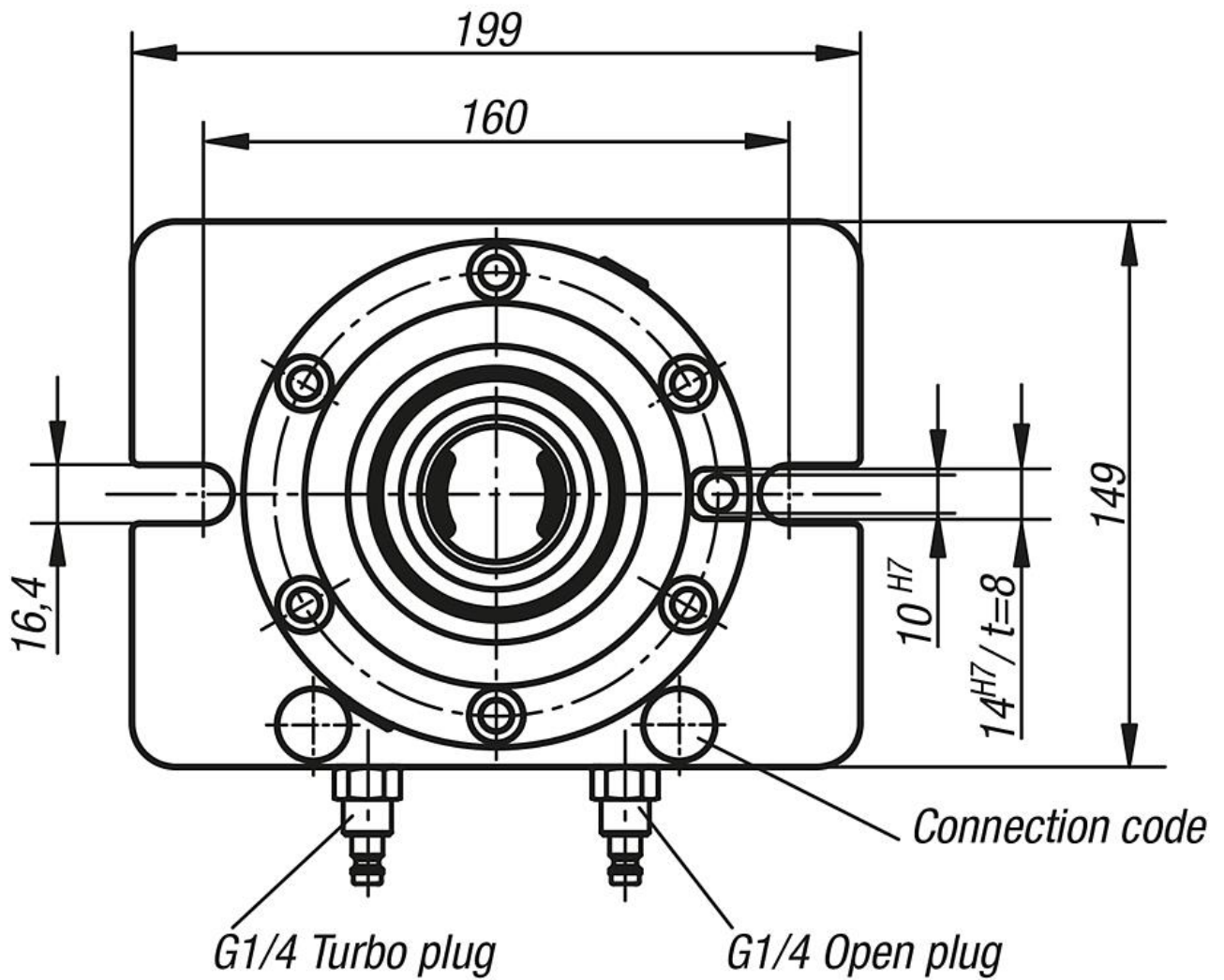
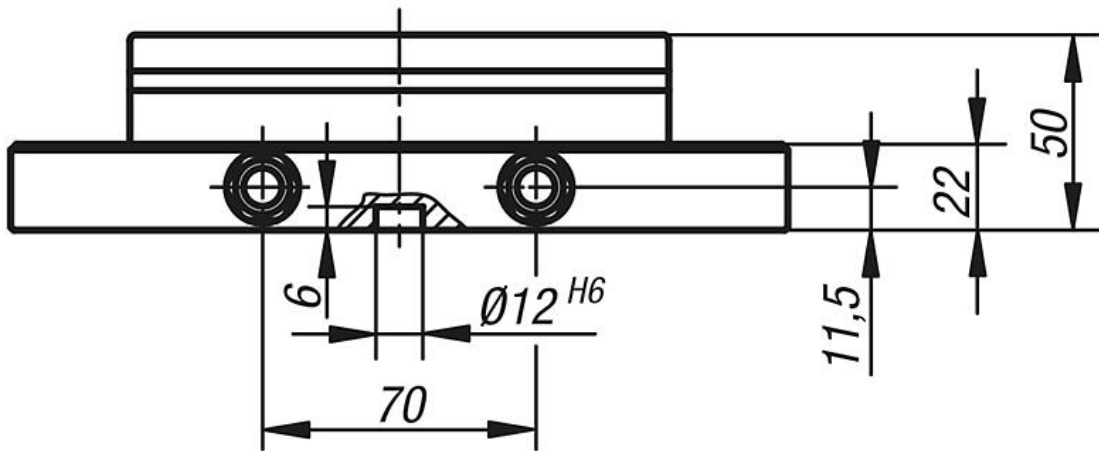
Accessory:

UNILOCK clamping bracket for UNILOCK clamping station K1869.

UNILOCK clamping station, 1x

Drawings

1x



UNILOCK clamping station, 1x**Overview of items**

Order No.	Version 2	Form	Form definition	weight kg
K1009.1000149199	1x	A	without rotation lock	7,08
K1009.10001491991	1x	B	with rotation lock	7,2