

Adapter plate, round, Form A

Item description/product images



Description

Material:
Steel.

Version:
Electro zinc-plated and trivalent blue passivated.

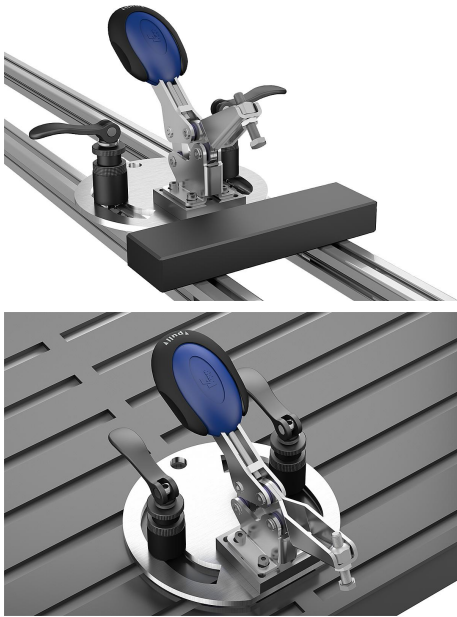
Note:
Adapter plates can be used in combination with toggle clamps. They enable toggle clamps to be positioned flexibly.
The adapter plates are clamped to the machine table using eccentric clamp modules.

Advantages:
Flexible movement and positioning.
Flexible height construction using the adapter block.

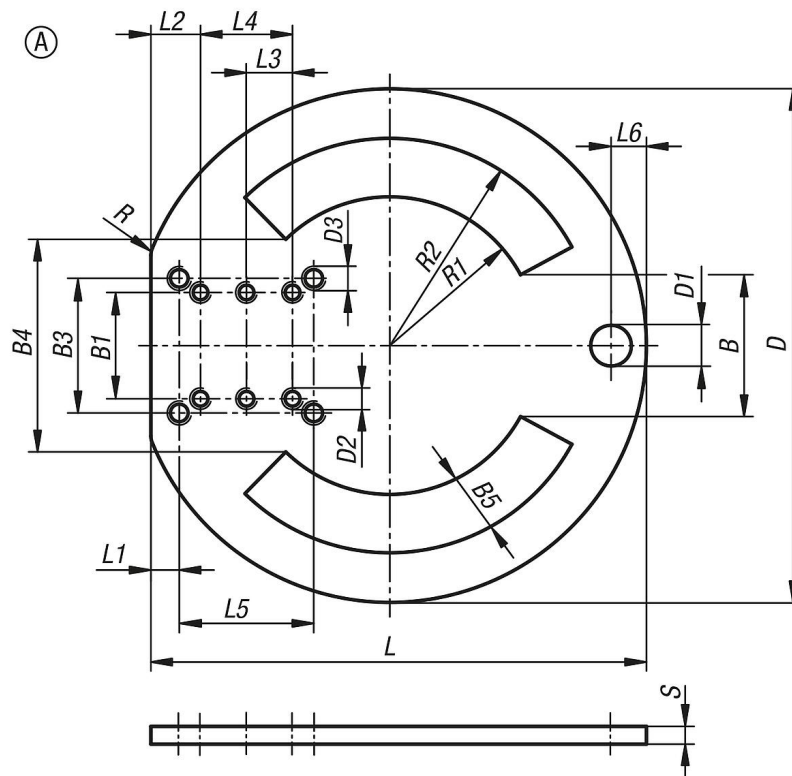
Accessory:
Eccentric clamp modules K0754
Toggle clamp K...

Adapter plate, round, Form A

Item description/product images



Drawings



Overview of items

Order No.	Form	Version 2	B	B1	B3	B4	B5	D	D1	D2	D3	L	L1	L2	L3	L4	L5	L6	R	R1	R2	S
K1211.145	A	closed	40	30	38	60	16,5	145	11,5	M5	M6	140	8	14	13	26	38	10	5	42	58,5	5

