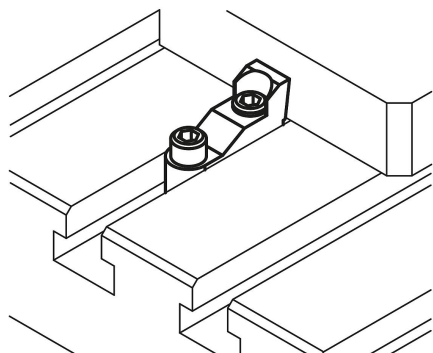


T-slot clamps

Item description/product images



Description

Material:

Body steel 1.7225.
Screws steel grade 8.8.

Version:

Body hardened and nickel-plated.
Screws black oxidised.

Note:

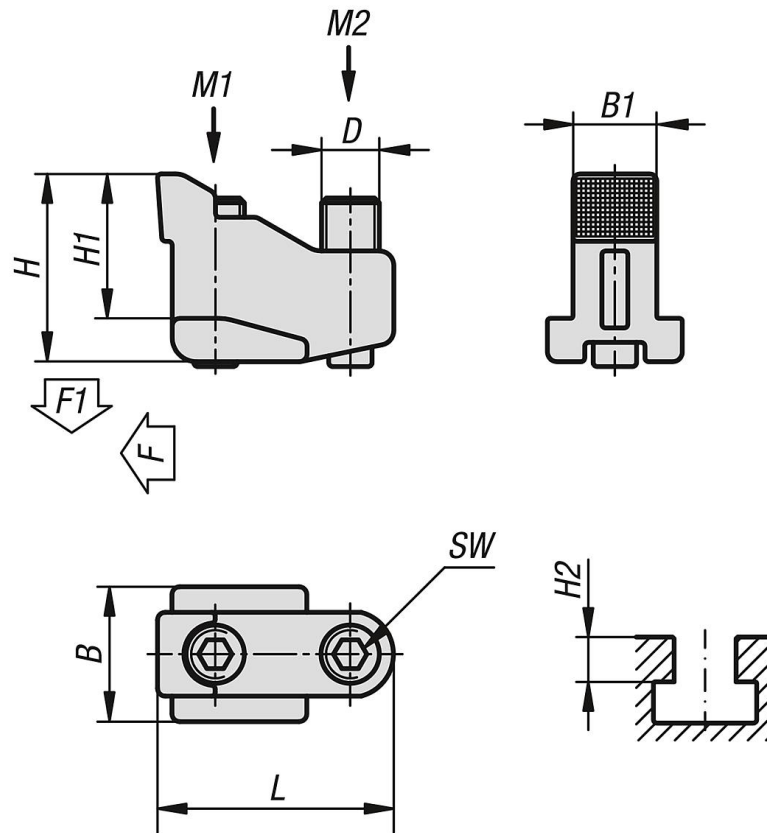
Particularly low workpieces can be clamped using the T-slot clamps. The positive down force pushes the workpiece down on the machine table.

Application:

1. Slide the clamp in the machine table T-slot up to the workpiece.
2. Tighten the fastening screws with the appropriate torque.
3. Tighten the clamping screw to clamp the workpiece in place.

T-slot clamps

Drawings



Overview of items

T-slot clamp

Order No.	Slot width	B	D	H	H1	H2	L	SW	B1	F kN	F1 kN	Tightening torque M1 Nm	Tightening torque M2 Nm
K1412.1014	14	22	M10	31	24	14-19	40	5	13,6	7	3,5	18	9
K1412.1218	18	28	M12	39	30	18-24	49	6	17,4	10	5	32	15
K1412.1622	22	35	M16	50	37	22-30	63	8	21,5	16	8	75	35