

## Quarter-turn security locks, stainless steel

### Item description/product images



### Description

#### Material:

Stainless steel 1.4401.

#### Version:

Bright.

#### Note:

The secure quarter turn lock is shock and vibration-resistant acc. to DIN 43668 even under high pressing force due to a built-in restrictor element. Actuation without a suitable key is not possible. The key can be removed only in the locked position. quarter turn lock, pre-assembled. Right version = closes anti-clockwise. Left version = closes clockwise. Water and dust protected acc. to IP65 from DIN EN 60529.

Please order required tongue version separately. Every tongue can be combined with every housing.

#### Accessory:

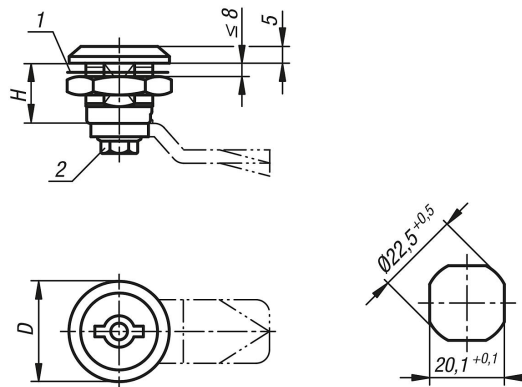
Key K0535.

Tongue for stainless steel quarter-turn lock K1340.

#### Drawing reference:

- 1) flat seal
- 2) self-locking screw

### Drawings



### Overview of items

Order No.	Version 1	Actuation	D	H
K1350.14518	right	double lug 5 mm	30	18
K1350.24518	left	double lug 5 mm	30	18