

Quarter-turn locks, stainless steel with L-grip

Item description/product images



Description

Material:

Stainless steel 1.4401.

Version:

Bright.

Grip polished.

Note:

Quarter-turn lock with L-grip. For right or left mounting with 90° closing. The quarter-turn lock can be installed pre-assembled. Rating IP65. Please order required tongue version separately. Every tongue can be combined with this housing.

The lockable quarter-turn locks are each supplied with 2 keys. The cylinder locks have a single-key system i.e. the same key works in all locks.

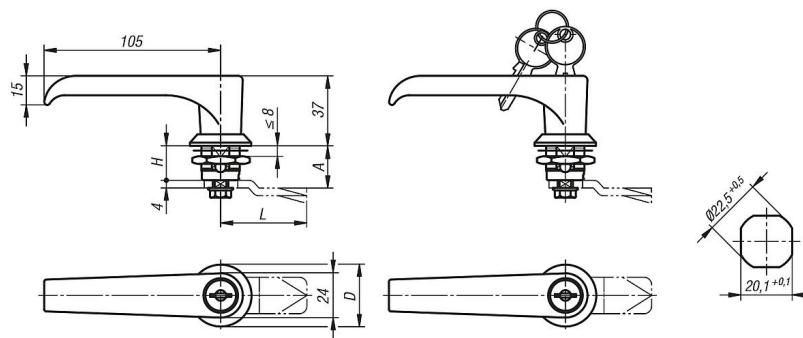
On request:

Available for door thickness 20 and 40 mm.

Accessory:

Tongue for stainless steel quarter-turn lock K1340.

Drawings



Overview of items

Order No.	Actuation	D	H
K1359.118	L-grip	32	18
K1359.218	lockable L-grip	32	18