

## Quarter-turn locks lockable, stainless steel

### Item description/product images



### Description

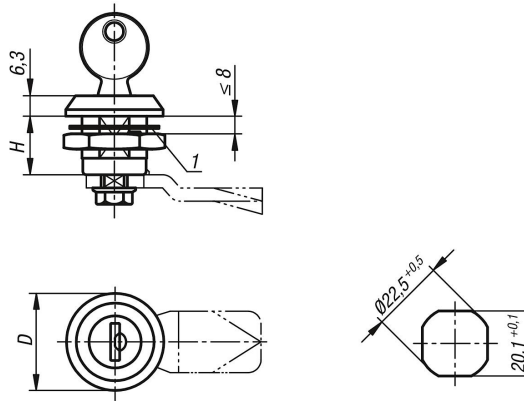
**Material:**  
Stainless steel 1.4401.

**Version:**  
Bright.

**Note:**  
The quarter turn lock can be installed pre-assembled. Housing with fastening nut and plate cylinder, same key locking, incl. 2 keys (lock type 1333).

**Drawing reference:**  
1) flat seal

### Drawings



### Overview of items

Order No.	Actuation	D	H
K1355.18	key single-key system	30	18