

Hinges steel, maintenance-free, Form B

Item description/product images

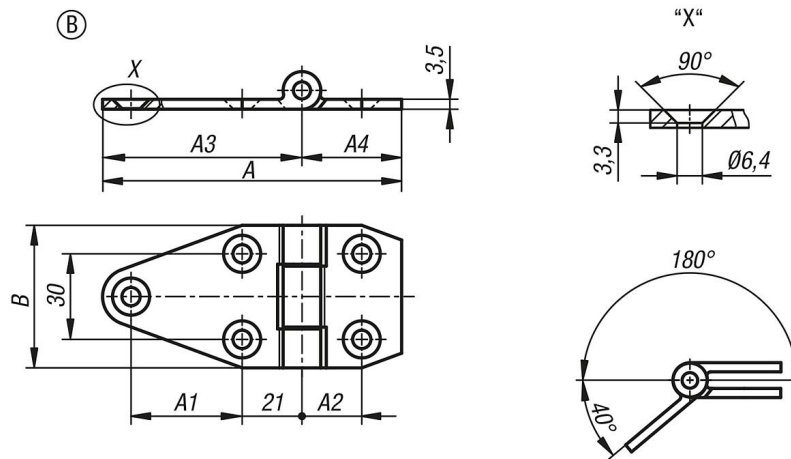


Description

Material:
Profile steel.
Bush Metaloplast.

Version:
Steel parts electro zinc-plated.

Drawings



Overview of items

Order No.	Form	A	A1	A2	A3	A4	B
K1141.06703550	B	105	39	21	70	35	50