

Locating pins with internal thread

Item description/product images



Description

Material:
Steel.

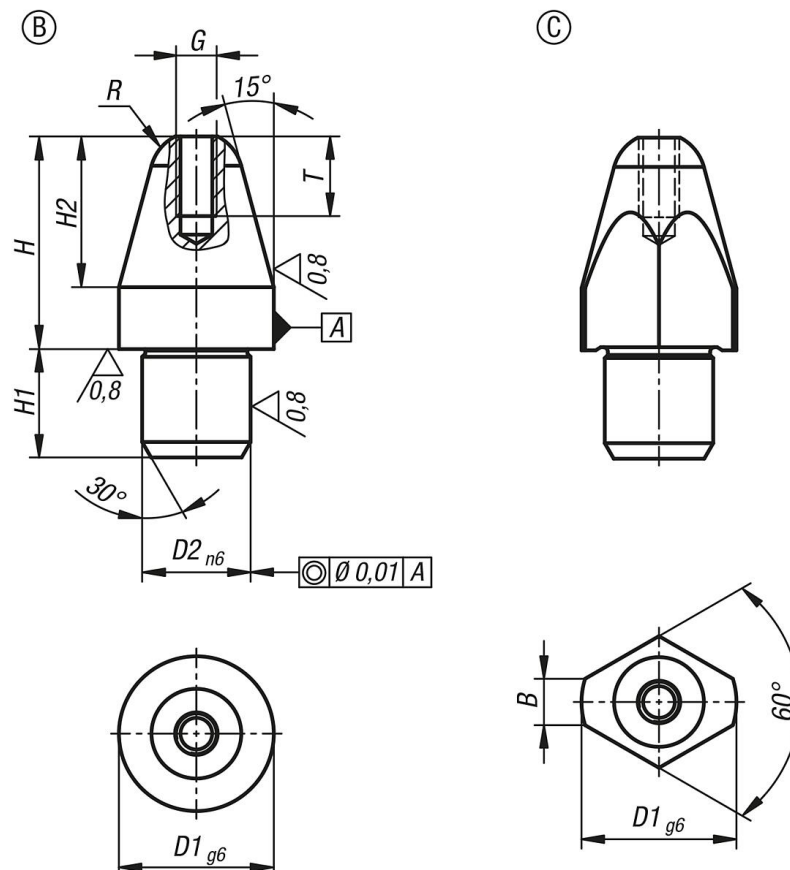
Version:
Hardened and ground (HRC 60 ±2).

Note:
The locating pins are designed to make the joining process easier. Used in combination with hardened locating bushes K1095, they enable exact, low-wear, and fast changes of the workpiece.

Versions D1 = 5 and D1 = 6 do not have an internal thread.

Drawing reference:
Form B: cylindrical pin
Form C: rhomboid pin

Drawings



Overview of items

Locating pins with internal thread

Locating pins with internal thread

Overview of items

Order No.	Form	Version 1	B	D1	D2	G	H	H1	H2	R	T
K1094.205	B	short	-	5	3	-	8	3	5	1,50	-
K1094.206	B	short	-	6	4	-	10	4	6	1,80	-
K1094.208	B	short	-	8	6	M2,5	11,4	6	7,4	2,5	5
K1094.210	B	short	-	10	7	M2,5	13,7	7	9,7	3	5
K1094.212	B	short	-	12	8	M3	16	8	12	3,5	6
K1094.216	B	short	-	16	12	M4	20	12	15	5	8
K1094.220	B	short	-	20	14	M5	25,5	14	19,5	6	10
K1094.305	B	long	-	5	3	-	10	3	5	1,50	-
K1094.306	B	long	-	6	4	-	12	4	6	1,80	-
K1094.308	B	long	-	8	6	M2,5	17,4	6	7,4	2,5	5
K1094.310	B	long	-	10	7	M2,5	21,7	7	9,7	3	5
K1094.312	B	long	-	12	8	M3	24	8	12	3,5	6
K1094.316	B	long	-	16	12	M4	29	12	15	5	8
K1094.320	B	long	-	20	14	M5	35,5	14	19,5	6	10
K1094.405	C	short	-	5	3	-	8	3	5	1,50	-
K1094.406	C	short	-	6	4	-	10	4	6	1,80	-
K1094.408	C	short	2,5	8	6	M2,5	11,4	6	7,4	2,5	5
K1094.410	C	short	3,0	10	7	M2,5	13,7	7	9,7	3	5
K1094.412	C	short	3,5	12	8	M3	16	8	12	3,5	6
K1094.416	C	short	5	16	12	M4	20	12	15	5	8
K1094.420	C	short	6	20	14	M5	25,5	14	19,5	6	10
K1094.505	C	long	-	5	3	-	10	3	5	1,50	-
K1094.506	C	long	-	6	4	-	12	4	6	1,80	-
K1094.508	C	long	2,5	8	6	M2,5	17,4	6	7,4	2,5	5
K1094.510	C	long	3,0	10	7	M2,5	21,7	7	9,7	3	5
K1094.512	C	long	3,5	12	8	M3	24	8	12	3,5	6
K1094.516	C	long	5	16	12	M4	29	12	15	5	8
K1094.520	C	long	6	20	14	M5	35,5	14	19,5	6	10