

Quarter-turn locks, stainless steel with L-grip

Item description/product images



Description

Material:

Grip 1.4301 stainless steel.

Housing and nut 1.4305 stainless steel.

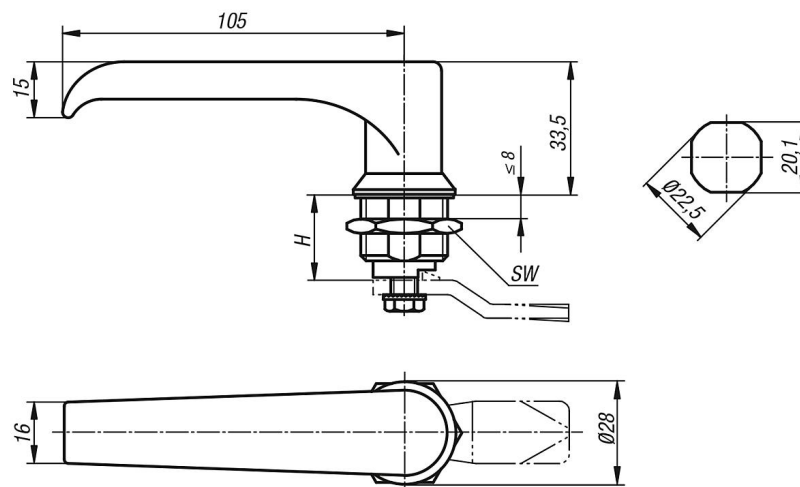
Version:

Bright.

Note:

Quarter-turn lock with L-grip. For right or left mounting with 90° closing. The quarter-turn lock can be installed pre-assembled. Supplied with standard stainless-steel nut. Rating IP65.

Drawings



Overview of items

Order No.	Actuation	H	SW
K1110.1186	L-grip	18	27